



MT SYSTEM BASE CONNECTORS

ETA-23/0826 (14.08.2024)





European Technical Assessment

ETA-23/0826 of 14/08/2024

English translation prepared by CSTB - Original version in French language

General Part

Technical Assessment Body issuing the European Technical Assessment:

Centre Scientifique et Technique du Bâtiment (CSTB)

Trade name:	Hilti base connectors of MT System
Product family:	Products for installation systems for supporting technical building equipment
Manufacturer:	Hilti AG Feldkircherstraße 100 9494 Schaan FÜRSTENTUM LIECHTENSTEIN
Manufacturing plants:	L 1124303, L 1087643, L 1027881, L 1000446, L 1128868, L 1005049
This European Technical Assessment contains:	41 pages including 36 pages of annexes which form an integral part of this assessment
This European Technical Assessment is issued in accordance with Regulation (EU) No 305/2011, on the basis of:	European Assessment Document (EAD) 280016-00-0602 version June 2020
This Assessment replaces:	ETA-23/0826 of 27/11/2023

The European Technical Assessment is issued by the Technical Assessment Body in its official language. Translations of this European Technical Assessment in other languages shall fully correspond to the original issued document and shall be identified as such. Communication of this European Technical Assessment, including transmission by electronic means, shall be in full. However, partial reproduction may only be made with the written consent of the issuing Technical Assessment Body. Any partial reproduction shall be identified as such. This European Technical Assessment may be withdrawn by the issuing Technical Assessment Body, in particular pursuant to information by the Commission in accordance with Article 25(3) of Regulation (EU) No 305/2011.

Specific Part

1 Technical description of the product

This European Technical Assessment covers HILTI base connectors of MT System:

MT-B-L, MT-B-L OC, MT-B-L FL, MT-B-L FL OC, MT-B-T, MT-B-T OC, MT-B-T FL, MT-B-T FL OC, MT-B-O2, MT-B-O2 OC, MT-B-O2 FL, MT-B-O2 FL OC, MT-B-O4, MT-B-O4 OC, MT-B-GS T OC, MT-B-GS O4U OC, MT-B-GL O4 OC, MT-B-GXL O4 OC, MT-B-GXL S1 OC, MT-B-GXL S2 OC, MT-B-GXL S3 OC, MT-B-G WS NC, MT-AB-L 45, MT-AB-L 45 OC, MT-BC-GS T OC, MT-BC-GXL T OC, MT-B-O2B, MT-B-O2B OC, MT-CC-BC 40/50, MT-CC-BC 40/50 OC, MT-CC-BS 40/50 OC, MT-CC-BS 40/50 OC, MT-B-G AS OC, MT-B-GS AB OC, MT-B-GL O4C OC, MT-B-GL EDB OC set, MT-B-GS EDB OC set, MT-B-GL EDB A OC, MT-B-GS EDB A OC, MT-B-EDB A OC, MT-BRL-EDB M12, MT-BRL-EDB M16, MT-BRS-EDB M12, MT-BRS-EDB M16, MT-B GL AB OC, MT-B-O2B 60D, MT-B-O2B 60D OC.

MT-B-L, MT-B-L FL, MT-B-L OC and MT-B-L FL OC connectors are made of zinc coated steel. The base connectors have two leg angle of equal length, arranged at an angle of 90° between each other. One opening is located centrally on each leg angle. The FL extension indicates that these baseplates are already pre-assembled with channel connectors.

MT-B-T, MT-B-T FL, MT-B-T OC and MT-B-T FL OC connectors are made of zinc coated steel. Each connector has a U-shaped profile with two openings on each area. The flanges are at one end extended with one opening on each area and arranged at 90° to the U-shaped profile. The FL extension indicates that these baseplates are already pre-assembled with channel connectors.

MT-B-O2, MT-B-O2 FL, MT-B-O2 OC and MT-B-O2 FL OC connectors are made of zinc coated steel. Each connector consists of one profiled base plate with 2 openings on which a U-shaped profile with trapezoidal flanges and two openings on each area is arranged at 90° to the base plate. The FL extension indicates that these baseplates are already pre-assembled with channel connectors.

MT-B-O4 and MT-B-O4 OC connectors are made of zinc coated steel. Each connector consists of one flat base plate with 4 openings on which a rectangular profile is arranged at 90° to the base plate. In the rectangular profile are arranged 2 openings on each short side and 4 openings on each long side.

MT-B-GS T OC connectors are made of zinc coated steel. Connector consists of one flat base plate with 9 openings in different shapes on which a U-shaped profile is arranged at 90° to the base plate. In the U-shaped profile are 4 openings on each parallel flange and 2 openings on the connecting flange.

MT-B-GS O4U OC connectors are made of zinc coated steel. Connector consists of one flat base plate with 4 openings on which a U-shaped profile is arranged at 90° to the base plate. In the U-profile are 4 openings on each parallel flange and 2 openings on the connecting flange.

MT-B-GL O4 OC connectors are made of zinc coated steel. Connector consists of one flat base plate with 5 openings on which 4 profiles in trapezoidal shape with 6 openings in each connecting flange are arranged and surrounding a square area in the center of the base plate.

MT-B-GXL O4 OC connectors are made of zinc coated steel. Connector consists of one flat base plate with 5 openings on which 4 profiles in trapezoidal shape with 9 openings in each connecting flange are arranged and surrounding a rectangular area in the center of the base plate.

MT-B-GXL S1 OC connectors are made of zinc coated steel. Connector consists of one square flat base plate with various openings of different size and shape on which a U-shaped profile is arranged at 90° to the base plate. In the U-shaped profile are 9 openings on each parallel flange and 6 openings on the connecting flange.

MT-B-GXL S2 OC connectors are made of zinc coated steel. Connector consists of one rectangular flat base plate with 4 openings as longholes on which a U-shaped profile is arranged at 90° to the base plate. In the U-shaped profile are 9 openings on each parallel flange and 6 openings on the connecting flange.

MT-B-GXL S3 OC connectors are made of zinc coated steel. Connector consists of one rectangular flat base plate with 4 openings as longholes on which a U-shaped profile is arranged at 90° to the base plate. In the U-shaped profile are 9 openings on each parallel flange and 6 openings on the connecting flange.

MT-B-G WS NC connectors are made of zinc coated steel. Connector consists of an L-shaped profile with the two leg angles having a trapezoid shape with various openings of different size and shape.

MT-AB-L 45 and MT-AB-L 45 OC connectors are made of zinc coated steel. Each connector has a U-shaped profile with the parallel flanges having a trapezoidal shape. One opening is arranged on each parallel flange and two openings are on the connecting flange. The connecting flange is extended with one opening and arranged at 45° to the U-shaped profile.

MT-BC-GS T OC and MT-BC-GXL T OC connectors are made of zinc coated steel. Each set consist of one U-bolt, one bearing plate and two each of hexagon nut, retaining washer, saddle and clamping claw.

MT-B-O2B and MT-B-O2B OC connectors are made of zinc coated steel. Each connector consists of one flat base plate with 2 openings on which a rectangular profile is arranged at 90° to the base plate. In the rectangular profile are arranged 2 openings on each short side and 4 openings on each long side.

MT-B-O2B 60D and MT-B-O2B 60D OC connectors are made of zinc coated steel. Each connector consists of one flat base plate with 2 openings on which a rectangular profile is arranged at 90° to the base plate. In the rectangular profile are arranged 2 openings on each short side and 4 openings on each long side.

MT-CC-BC 40/50, MT-CC-BC 40/50 OC, MT-CC-BS 40/50 OC and MT-CC-BS 40/50 OC connectors are made of zinc coated steel. The connectors are in U-shape with right-angled flanges on each side and with various openings.

MT-B-G AS OC is made of zinc coated steel. The connector has an L-shape with two openings on each flange.

MT-B-GS AB OC is made of zinc coated steel. The connector consists of a rectangular base plate with two welded flanges which have a trapezoidal shape and one round hole each.

MT-B-GL O4C OC is made of zinc coated steel. Each connector consists of one flat base plate with 4 openings on which a rectangular open profile is arranged at 90° to the base plate.

MT-B-GL EDB OC set is a kit consisting of two connectors. Each connector is made of zinc coated bended steel with two flanges arranged symmetrically and at right angles to the base. The flanges have round hole and long hole patterns.

MT-B-GS EDB OC set set is a kit consisting of two connectors. Each connector is made of zinc coated bended steel with two flanges arranged symmetrically and at right angles to the base. The flanges have round hole and long hole patterns.

MT-B-GL EDB A OC is made of zinc coated bended steel with two flanges arranged symmetrically and at right angles to the base. The flanges have two long holes on each side.

MT-B-GS EDB A OC is made of zinc coated bended steel with two flanges arranged symmetrically and at right angles to the base. The flanges have two round holes on each side.

MT-B-EDB A OC is an angle made of zinc coated bended steel with symmetrically arranged round and long holes.

MT-BRL-EDB M12, MT-BRL-EDB M16, MT-BRS-EDB M12, MT-BRS-EDB M16 are made of zinc coated steel. The connectors consist of a rectangular base plate with two welded flanges which have a rectangular shape. On the base and on the flanges are arranged various long holes

MT-B GL AB OC is made of zinc coated steel. The connector consists of a rectangular base plate with two welded flanges. On each flange is one round hole and a long hole in a semi-circular design.

The drawings, dimensions and materials of the Hilti base connectors of MT System are given in Annex A.

2 Specification of the intended use

The performances given in clause 3 are only valid if HILTI base connectors of MT System are in compliance with the specifications and conditions given in Annex B.

The provisions made in this European Technical Assessment are based on an assumed working life of the HILTI installation channels of MT System of 50 years when installed in the works (provided that the installation systems products are subject to appropriate installation). The indications given on the working life cannot be interpreted as a guarantee given by the producer or Technical Assessment Body, but are to be regarded only as a means for choosing the right products in relation to the expected economically reasonable working life of the works.

In accordance with the European Assessment Document EAD 280016-00-0602, the product is intended to be used in

- a) installations for the support of sprinkler kits,
- b) installations for the support of technical building equipment in general,
- c) installations for the support of pipes for the transport of gas/fuel intended for the supply of building heating / cooling systems.
- d) installations for the support of pipes for the transportation of water not intended for human consumption

3 Performance of the product and references to the methods used for its assessment

3.1 Safety in case of fire (BWR 2)

No.	Essential characteristic	Type of expression of product performance
1	Reaction to fire	Class A1
2	Resistance under fire exposure	No performance Assessed (NPA)

3.2 Safety and accessibility in use (BWR 4)

No.	Essential characteristic	Type of expression of product performance
2	Shape	See Annex A
3	Dimensions	See Annex A
4	Material	See Annex B
5	Characteristic resistance	See Annex C

4 Assessment and verification of constancy of performance (AVCP) system applied, with reference to its legal base

In accordance with the European Assessment Document EAD 280016-00-0602, the following legal bases apply:

- In case of intended use a) specified in Section 2:

Commission Decision N° 96/577/EC as amended by Commission Decision 2002/592/EC:

The system is 1

- In case of intended use b) specified in Section 2:

Commission Decision N° 97/161/EC de la Commission:

The system is 2+

- In case of intended use c) specified in Section 2:

Commission Decision N° 999/472/EC as amended by Commission Decision 2001/596/EC:

The system is 3

- In case of intended use d) specified in Section 2:

Commission Decision N° 999/472/EC as amended by Commission Decision 2001/596/EC:

The system is 4

5 Technical details necessary for the implementation of the AVCP system, as provided for in the applicable EAD

The technical details necessary for the implementation of the system for the assessment and verification of constancy of performance are laid down in the control plan (confidential part of this European Technical Assessment) deposited at Centre Scientifique et Technique du Bâtiment.

The manufacturer shall, on the basis of a contract, involve a notified body approved in the field of supporting systems for issuing the certificate of conformity CE based on the control plan.

The original French version is signed by

Le chef de division, Loic PAYET

Table A1: Dimensions and materials of MT-B-L, MT-B-L OC, MT-B-L FL, MT-B-L FL OC, MT-B-T, MT-B-T FL, MT-B-T OC and MT-B-T FL OC

Illustration (Dimensions in mm)	Item number	Designation	Materials and coatings
	2272086	MT-B-L	Steel Q235B acc. to GB/T 700; galvanized
	2272088	MT-B-L OC	Steel Q235B acc. to GB/T 700; hot dip galvanized
	2399665	MT-B-L FL	Steel Q235B acc. to GB/T 700; galvanized
	2399677	MT-B-L FL OC	Steel Q235B acc. to GB/T 700; hot dip galvanized
	2272090	MT-B-T	Steel Q235B acc. to GB/T 700; galvanized
	2272092	MT-B-T OC	Steel Q235B acc. to GB/T 700; hot dip galvanized
	2399639	MT-B-T FL	Steel Q235B acc. to GB/T 700; galvanized
	2399674	MT-B-T FL OC	Steel Q235B acc. to GB/T 700; hot dip galvanized

Hilti MT base connectors

Product description
 Dimensions and materials

Annex A1

Table A2: Dimensions and materials of MT-B-O2, MT-B-O2 OC, MT-B-O4, MT-B-O4 OC, MT-B-O2B 60D and MT-B-O2B 60D OC

Illustration (Dimensions in mm)	Item number	Designation	Materials and coatings
	2272094	MT-B-O2	Steel Q235B acc. to GB/T 700; galvanized
	2272096	MT-B-O2 OC	Steel Q235B acc. to GB/T 700; hot dip galvanized
	2399660	MT-B-O2 FL	Steel Q235B acc. to GB/T 700; galvanized
	2399675	MT-B-O2 FL OC	Steel Q235B acc. to GB/T 700; hot dip galvanized
	2272098	MT-B-O4	Steel Q235B acc. to GB/T 700 galvanized
	2272099	MT-B-O4 OC	Steel Q235B acc. to GB/T 700 hot dip galvanized
	2358236	MT-B-O2B 60D	Steel Q235B acc. to GB/T 700 galvanized
	2358237	MT-B-O2B 60D OC	Steel Q235B acc. to GB/T 700 hot dip galvanized

Hilti MT base connectors

Product description
 Dimensions and materials

Annex A2

Table A3: Dimensions and materials of MT-B-GS T OC, MT-B-GS O4U OC, MT-B-GL O4 OC, MT-B-GXL O4 OC

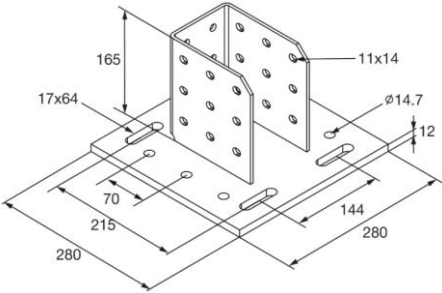
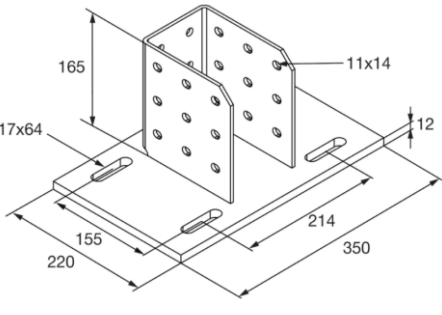
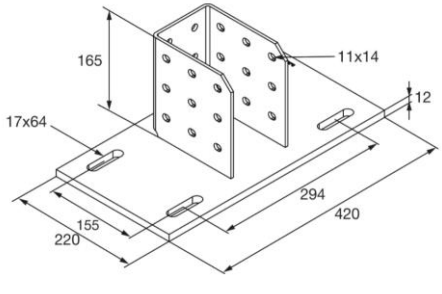
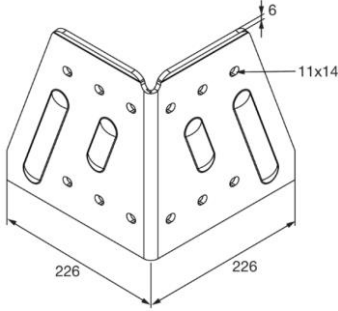
Illustration (Dimensions in mm)	Item number	Designation	Materials and coatings
	2272100	MT-B-GS T OC	Q355B acc. to GB/T 1591; hot dip galvanized
	2272101	MT-B-GS O4U OC	Steel Q355B acc. to GB/T 1591; hot dip galvanized
	2272103	MT-B-GL O4 OC	Steel Q355B acc. to GB/T 1591; hot dip galvanized
	2272104	MT-B-GXL O4 OC	Steel Q355B acc. to GB/T 1591; hot dip galvanized

Hilti MT base connectors

Product description
 Dimensions and materials

Annex A3

Table A4: Dimensions and materials of MT-B-GXL S1 OC, MT-B-GXL S2 OC, MT-B-GXL S3 OC, MT-B-G WS NC

Illustration (Dimensions in mm and inch)	Item number	Designation	Materials and coatings
	2272106	MT-B-GXL S1 OC,	Steel Q355B acc. to GB/T 1591; hot dip galvanized
	2272107	MT-B-GXL S2 OC	Steel Q355B acc. to GB/T 1591; hot dip galvanized
	2272108	MT-B-GXL S3 OC	Steel Q355B acc. to GB/T 1591; hot dip galvanized
	2272109	MT-B-G WS NC	Steel Q355B acc. to GB/T 1591; two component primer

Hilti MT base connectors

Product description
 Dimensions and materials

Annex A4

Table A5: Dimensions and materials of MT-B-AB-L 45, MT-AB-L 45 OC, MT-B-O2B, MT-B-O2B OC and MT-B GL AB OC

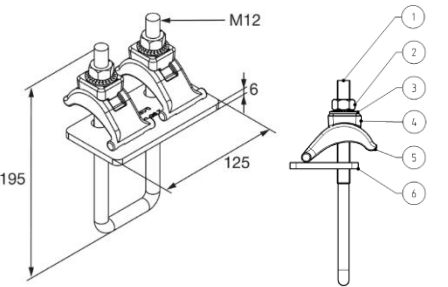
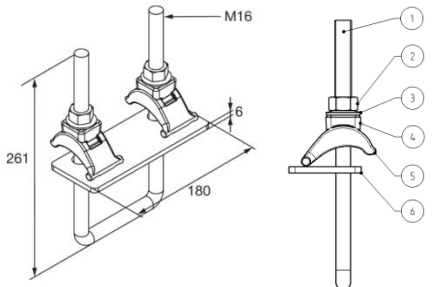
Illustration (Dimensions in mm)	Item number	Designation	Materials and coatings
	2272113	MT-AB-L 45	Steel Q235B acc. to GB/T 700; galvanized
	2272114	MT-AB-L 45 OC	Steel Q235B acc. to GB/T 700; hot dip galvanized
	2282212	MT-B-O2B	Steel Q235B acc. to GB/T 700; galvanized
	2282213	MT-B-O2B OC	Steel Q235B acc. to GB/T 700; hot dip galvanized
	2353811	MT-B GL AB OC	Q355B acc. to GB/T 1591; hot dip galvanized

Hilti MT base connectors

Product description
 Dimensions and materials

Annex A5

Table A6: Dimensions and materials of MT-BC-GS T OC, MT-BC-GXL T OC

Illustration (Dimensions in mm)	Item number	Designation	Materials and coatings
	2273587	MT-BC-GS T OC	<p>U-bolt: strenght class 8.8 acc. to EN ISO 898-1</p> <p>Hexagon nut M12: strength class 8 acc. to DIN 267-4</p> <p>Retaining washer: 65Mn acc. to GB/T 699</p> <p>Clamping claw saddle M12: QT400-15 acc. to GB/T 1348</p> <p>Clamping claw MT M12: QT400 acc. to GB/T 1348</p> <p>Bearing plate: Steel Q235B acc. to GB/T 700</p>
	2273589	MT-BC-GXL T OC	<p>U-bolt: strenght class 8.8 acc. to EN ISO 898-1</p> <p>Hexagon nut M16: strength class 8 acc. to DIN 267-4</p> <p>Retaining washer: 65Mn acc. to GB/T 699</p> <p>Clamping claw saddle M16: QT400-15 acc. to GB/T 1348</p> <p>Clamping claw MT M16: QT400-15 acc. to GB/T 1348</p> <p>Bearing plate: Q235B acc. to GB/T 700</p>

Hilti MT base connectors

Product description
 Dimensions and materials

Annex A6

Table A7: Dimensions and materials of MT-CC-BC 40/50, MT-CC-BC 40/50 OC, MT-CC-BS 40/50, MT-CC-BS 40/50 OC

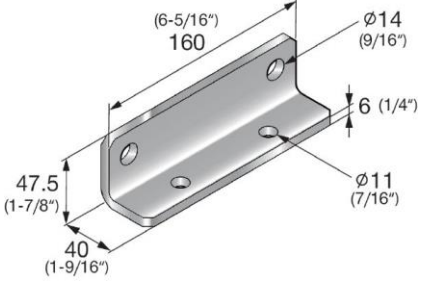
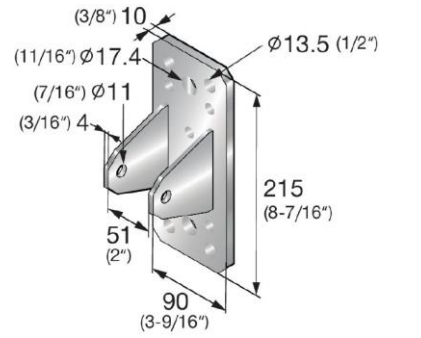
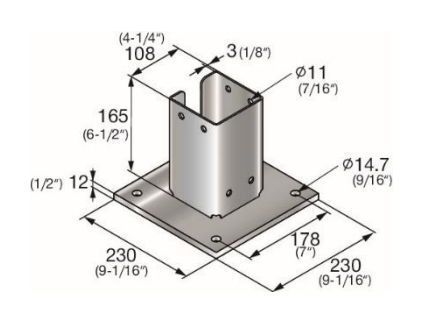
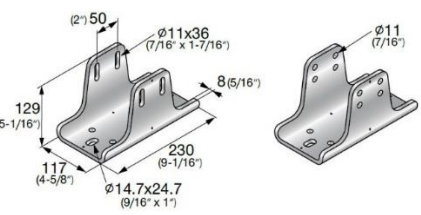
Illustration (Dimensions in mm and inch)	Item number	Designation	Materials and coatings
	2322432	MT-CC-BC 40/50	Steel Q235B acc. to GB/T 700; galvanized
	2322401	MT-CC-BC 40/50 OC	Steel Q235B acc. to GB/T 700; hot dip galvanized
	2322402	MT-CC-BS 40/50	Steel Q235B acc. to GB/T 700; galvanized
	2322403	MT-CC-BS 40/50 OC	Steel Q235B acc. to GB/T 700; hot dip galvanized

Hilti MT base connectors

Product description
 Dimensions and materials

Annex A7

Table A8: Dimensions and materials of MT-B-G AS OC, MT-B-GS AB OC, MT-B-GL O4C OC, MT-B-GL EDB OC set

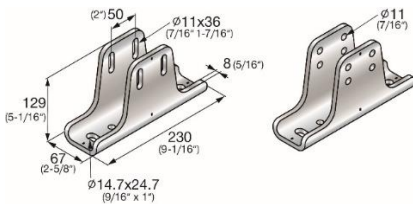
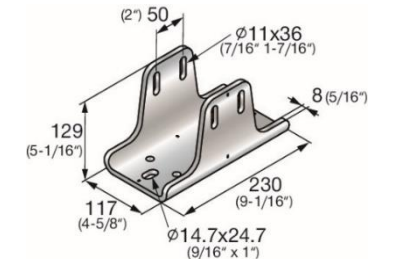
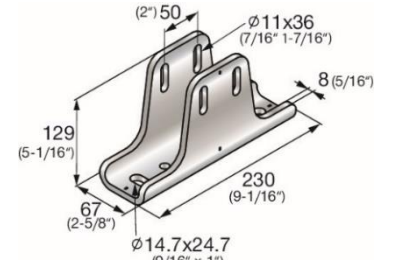
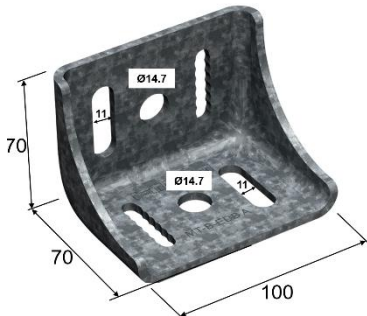
Illustration (Dimensions in mm and inch)	Item number	Designation	Materials and coatings
	2332781	MT-B-G AS OC	Q355B acc. to GB/T 1591; hot dip galvanized
	2332787	MT-B-GS AB OC	Q355B acc. to GB/T 1591; hot dip galvanized
	2343282	MT-B-GL O4C OC	Q355B acc. to GB/T 1591; hot dip galvanized
 <p>MT-B-GL EDB A OC MT-B-GL EDB OC</p>	2353802	MT-B-GL EDB OC set	Q355B acc. to GB/T 1591; hot dip galvanized

Hilti MT base connectors

Product description
 Dimensions and materials

Annex A8

Table A9: Dimensions and materials of MT-B-GS EDB OC set, MT-B-GL EDB A OC, MT-B-GS EDB A OC, MT-B-EDB A OC

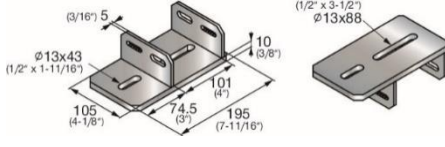
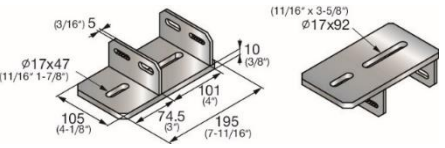
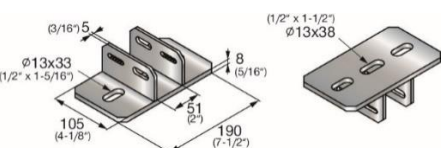
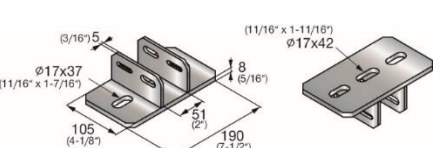
Illustration (Dimensions in mm and inch)	Item number	Designation	Materials and coatings
 <p>MT-B-GS EDB A OC MT-B-GS EDB OC</p>	2353804	MT-B-GS EDB OC set	Q355B acc. to GB/T 1591; hot dip galvanized
	2353803	MT-B-GL EDB A OC	Q355B acc. to GB/T 1591; hot dip galvanized
	2353805	MT-B-GS EDB A OC	Q355B acc. to GB/T 1591; hot dip galvanized
	2353810	MT-B-EDB A OC	Q355B acc. to GB/T 1591; hot dip galvanized

Hilti MT base connectors

Product description
 Dimensions and materials

Annex A9

Table A10: Dimensions and materials of MT-BRL-EDB M12, MT-BRL-EDB M16, MT-BRS-EDB M12, and MT-BRS-EDB M16

Illustration (Dimensions in mm and inch)	Item number	Designation	Materials and coatings
	2353806	MT-BRL-EDB M12	Q355B acc. to GB/T 1591; galvanized
1 x cup head square neck bolt M12X50, DIN 603			Strength class 8.8 according to DIN EN ISO 898-1, galvanized
	2353807	MT-BRL-EDB M16	Q355B acc. to GB/T 1591; galvanized
1 x cup head square neck bolt M16X50, DIN 603			Strength class 8.8 according to DIN EN ISO 898-1, galvanized
	2353808	MT-BRS-EDB M12	Q355B acc. to GB/T 1591; galvanized
1 x cup head square neck bolt M12X50, DIN 603			Strength class 8.8 according to DIN EN ISO 898-1, galvanized
	2353809	MT-BRS-EDB M16	Q355B acc. to GB/T 1591; galvanized
1 x cup head square neck bolt M16X50, DIN 603			Strength class 8.8 according to DIN EN ISO 898-1, galvanized

Hilti MT base connectors

Product description
 Dimensions and materials

Annex A10

Specifications of intended use

- HILTI base connectors of MT System are used to transfer building services components loads such as ducts and equipment for water, heating, cooling, ventilation, electrical and other systems at ambient temperature. HILTI MT base connectors are suitable for undertaking this load-bearing function under conditions described in Section 2 of this European Technical Assessment.
- The resistance of HILTI base connectors set down in Annex C1 to C10 applies for static actions in the direction of the main axes X, Y, Z in connection with HILTI installation channels and with HILTI channel connectors acc. to Annex B1 to B16.
- The MT installation open profile channels and closed profiles (girders) can be cut along the entire length following the manufacturers instructions without compromising the declared performances.
- For girders the distance between end of the girder and start of the dome shaped hole has to be minimum 10 mm.
- For the channel connectors MT-TL M10 and MT-FL acc. to annex B5 and B6 a torque of 30 Nm applies.
- For the channel connectors MT-TL M10 OC and MT-FL OC acc. to annex B5 and B6 a torque of 40 Nm applies.
- For the bolt MT-TFB OC acc. to annex B5 a torque of 60 Nm applies.
- The required torques may be applied with electrical or non-electrical devices.
- The characteristic resistances in annex C apply for the configurations described in table B6, Annex B7 to B17.
- Products differing in their designation only by the letters "OC" are interchangeable.
- The base connectors must be fixed to the base material with suitable fasteners through the openings provided for this purpose.
- The base connectors must be installed by appropriately qualified personnel and under the supervision of the site manager. The installation instruction of the manufacturer applies. The fastening of the base connector to the base material is made with appropriate anchors. The anchoring used with the base material must be suitable and have a fireproof certificate.
- Prior to installation, it must be ensured that the supported component, the anchoring of the threaded rod to the base material and the base material itself are suitable to withstand the resistance values of the installation system and that they have a fireproof certificate.

Hilti MT base connectors

Requirements for performance assessment

Annex B1

Table B1: Dimensions and materials of Hilti MT-30 S, MT-30, MT-30 S OC, MT-30 OC, MT-40 S, MT-40, MT-40 S OC, MT-40 OC, MT-50 S, MT-50, MT-50 S OC, MT-50 OC installation channels

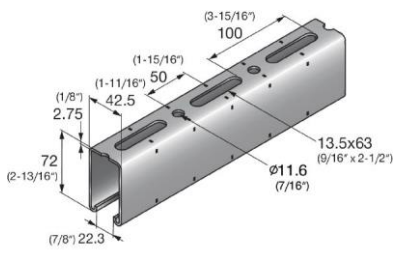
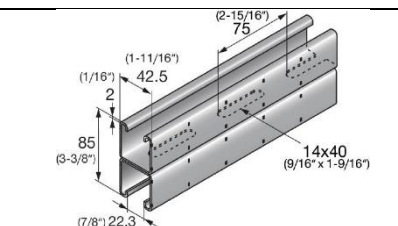
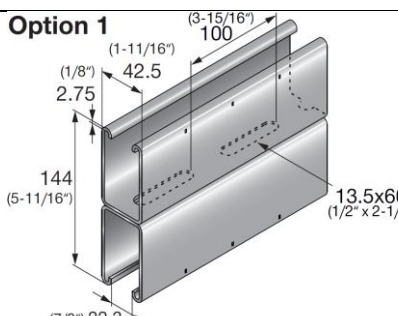
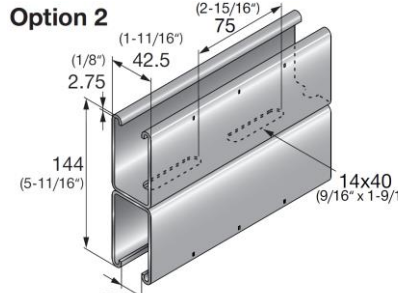
Illustration (Dimensions in mm and inch)	Item number	Designation	Length [m]	Materials and coatings
	2268497	MT-30 S	3	S280GD or equivalent as defined in HN704 + Z275-M-A-C acc. to EN 10346
	2268498	MT-30	6	
	2268499	MT-30 S OC	3	S280GD or equivalent as defined in HN704 + ZM310-A-C acc. to EN 10346
	2268500	MT-30 OC	6	
	2268505	MT-40 S	3	S280GD or equivalent as defined in HN704 + Z275-M-A-C acc. to EN 10346
	2268506	MT-40	6	
	2268507	MT-40 S OC	3	S280GD or equivalent as defined in HN704 + ZM310-A-C acc. to EN 10346
	2268508	MT-40 OC	6	
	2268509	MT-50 S	3	S280GD or equivalent as defined in HN704 + Z275-M-A-C acc. to EN 10346
	2268510	MT-50	6	
	2268511	MT-50 S OC	3	S280GD or equivalent as defined in HN704 + ZM310-A-C acc. to EN 10346
	2268512	MT-50 OC	6	
	2362808	MT-50 U	6	S280GD or equivalent as defined in HN704 + Z275-M-A-C acc. to EN 10346

Hilti MT base connectors

Requirements for performance assessment

Annex B2

Table B2: Dimensions and materials of Hilti MT-60 S, MT-60, MT-60 S OC, MT-60 OC, MT-40 D S, MT-40, MT-40 S OC, MT-40 OC installation channels

Illustration (Dimensions in mm and inch)	Item number	Designation	Length [m]	Materials and coatings
	2268513	MT-60 S	3	S280GD or equivalent as defined in HN704 + Z275-M-A-C acc. to EN 10346
	2268514	MT-60	6	
	2268515	MT-60 S OC	3	S280GD or equivalent as defined in HN704 + ZM310-A-C acc. to EN 10346
	2268516	MT-60 OC	6	
 <p>Two profiles of MT-40 channel are connected in the area of the holes in the back of the channels in a shape-fitting and force-fitting way as a kind of riveted connection.</p>	2268517	MT-40D S	3	S280GD or equivalent as defined in HN704 + Z275-M-A-C acc. to EN 10346
	2268518	MT-40D	6	
	2268519	MT-40D S OC	3	S280GD or equivalent as defined in HN704 + ZM310-A-C acc. to EN 10346
<p>Option 1</p>  <p>Option 2</p> 	2362800	MT-60D	6	S280GD or equivalent as defined in HN704 + Z275-M-A-C acc. to EN 10346
	2362802	MT-60D S	3	
	2362801	MT-60D OC	6	S280GD or equivalent as defined in HN704 + ZM310-A-C acc. to EN 10346

Hilti MT base connectors

Requirements for performance assessment

Annex B3

Table B3: Dimensions and materials of Hilti MT-70 S OC, MT-70 OC, MT-80 S OC, MT-80 OC, MT-90 S OC, MT-90 OC, MT-100 S OC and MT-100 OC installation channels



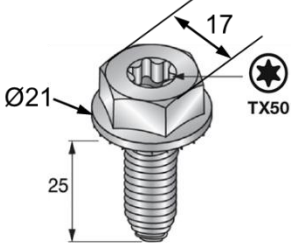
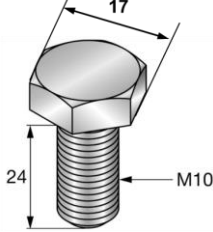
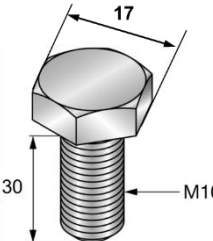
Illustration (Dimensions in mm and inch)	Item number	Designation	Length [m]	Materials and coatings
	2268364	MT-70 S OC	3	S350GD+ ZM310-A-C acc. to EN 10346
	2268365	MT-70 OC	6	
	2268366	MT-80 S OC	3	S350GD+ ZM310-A-C acc. to EN 10346
	2268367	MT-80 OC	6	
	2268368	MT-90 S OC	3	S350GD+ ZM310-A-C acc. to EN 10346
	2268369	MT-90 OC	6	
	2268490	MT-100 S OC	3	S350GD+ ZM310-A-C acc. to EN 10346
	2268491	MT-100 OC	6	

Hilti MT base connectors

Requirements for performance assessment

Annex B4

Table B4: Dimensions and materials of Hilti MT-TL M10, MT-TL M10 OC, MT-TFB OC, MT-TLB, MT-TLB OC, MT-TLB 30 and MT-TLB 30 OC channel connector

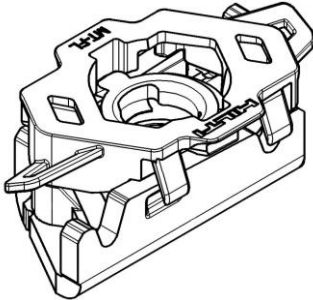
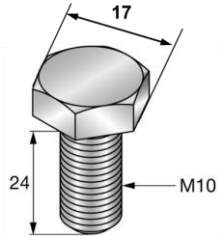
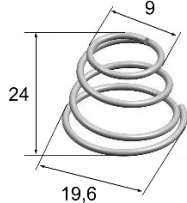
Item number	Designation	Materials and coatings	Illustration (Dimensions in mm)
2272080	MT-TL M10	Steel part: S460MC acc. to EN10149-2 or equivalent as defined in HN709 zinc coated Plastic part: Polyamid	
2272082	MT-TL M10 OC	Steel part: S460MC acc. to EN10149-2 or equivalent as defined in HN709 zinc coated with organic topcoat Plastic part: Polyamid	
2272084	MT-TFB OC	C10B21 acc. to SAE J403, Surface hardness min. 530 HV, Core hardness min. 32-39 HRC zinc coated with organic topcoat	
2273254	MT-TLB	strength class 8.8 acc. to EN ISO 898-1, zinc coated	
2273256	MT-TLB OC	strength class 8.8 acc. to EN ISO 898-1, zinc coated with organic topcoat	
2282190	MT-TLB 30	strength class 8.8 acc. to EN ISO 898-1, zinc coated	
2282191	MT-TLB 30 OC	strength class 8.8 acc. to EN ISO 898-1, zinc coated with organic topcoat	

Hilti MT base connectors

Requirements for performance assessment

Annex B5

Table B5: Dimensions and material of Hilti MT-FL and MT-FL OC channel connectors

Item number	Designation	Materials and coatings	Illustration (Dimensions in mm)
2399683	MT-FL	Steel part: S460MC acc. to EN10149-2 or equivalent as defined in HN709 zinc coated Plastic part: Polypropylene	
2399682	MT-FL OC	Steel part: S460MC acc. to EN10149-2 or equivalent as defined in HN709 zinc coated with organic topcoat Plastic part: Polypropylene	
Additional components of MT-FL and MT-FL OC			
-	MT-FL	strength class 8.8 acc. to EN ISO 898-1, zinc coated	
-	MT-FL OC	strength class 8.8 acc. to EN ISO 898-1, zinc coated with organic topcoat	
-	MT-FL	1.4310 acc. to EN 10151	
-	MT-FL OC		

Hilti MT base connectors

Requirements for performance assessment

Annex B6

Table B6: System specific configuration and loading directions of MT base connectors

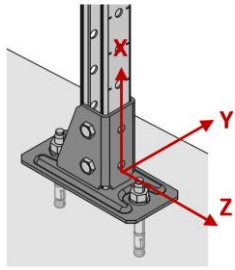
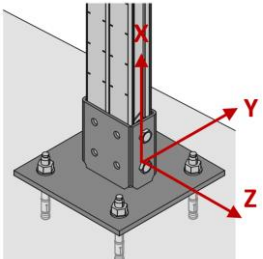
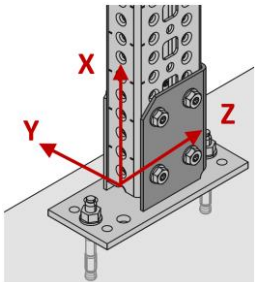
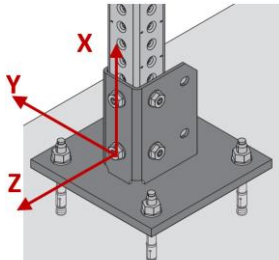
No	System configuration and Static action directions	HILTI base connector	HILTI installation channels	Number and type of HILTI channel connectors
1		MT-B-L	MT-30 S, MT-30, MT-40 S, MT-40, MT-50 S, MT-50, MT-60 S, MT-60, MT-40D S, MT-40D	1 x MT-TL M10 or 1 x MT FL
		MT-B-L FL		
		MT-B-L OC	MT-30 S OC, MT-30 OC, MT-40 S OC, MT-40 OC, MT-50 S OC, MT-50 OC, MT-60 S OC, MT-60 OC, MT-40D S OC, MT-40D OC	1 x MT-TL M10 OC or 1 x MT FL OC
		MT-B-L FL OC		
2		MT-B-T	MT-30 S, MT-30, MT-40 S, MT-40, MT-50 S, MT-50, MT-60 S, MT-60, MT-40D S, MT-40D	2 x MT-TL M10 or 2 x MT FL
		MT-B-T FL		
		MT-B-T OC	MT-30 S OC, MT-30 OC, MT-40 S OC, MT-40 OC, MT-50 S OC, MT-50 OC, MT-60 S OC, MT-60 OC, MT-40D S OC, MT-40D OC	2 x MT-TL M10 OC or 2 x MT FL OC
		MT-B-T FL OC		
3		MT-B-T	MT-30 S, MT-30, MT-40 S, MT-40, MT-50 S, MT-50, MT-60 S, MT-60	2 x MT-TL M10 or 2 x MT FL
		MT-B-T OC	MT-30 S OC, MT-30 OC, MT-40 S OC, MT-40 OC, MT-50 S OC, MT-50 OC, MT-60 S OC, MT-60 OC	2 x MT-TL M10 OC or 2 x MT FL OC
4		MT-B-O2	MT-30 S, MT-30, MT-40 S, MT-40, MT-50 S, MT-50, MT-60 S, MT-60, MT-40D S, MT-40D	2 x MT-TL M10 or 2 x MT FL
		MT-B-O2 FL		
		MT-B-O2 OC	MT-30 S OC, MT-30 OC, MT-40 S OC, MT-40 OC, MT-50 S OC, MT-50 OC, MT-60 S OC, MT-60 OC, MT-40D S OC, MT-40D OC	2 x MT-TL M10 OC or 2 x MT FL OC
		MT-B-O2 FL OC		

Hilti MT base connectors

Requirements for performance assessment

Annex B7

Table B6, continued: System specific configuration and loading directions of MT base connectors

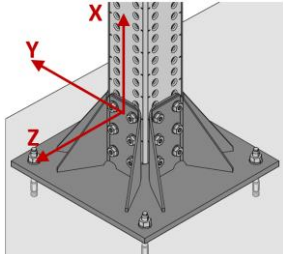
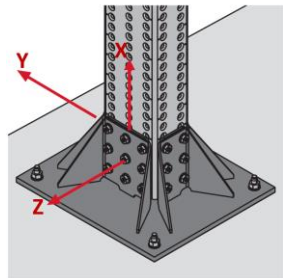
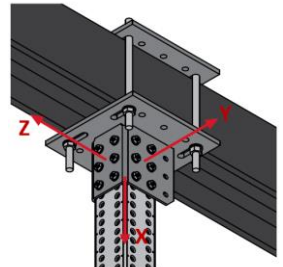
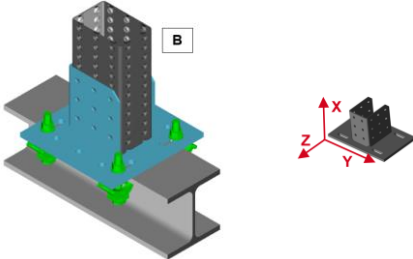
No	System configuration and Static action directions	HILTI base connector	HILTI installation channels	Number and type of HILTI channel connectors
5		MT-B-O2	MT-30 S, MT-30, MT-40 S, MT-40, MT-50 S, MT-50, MT-60 S, MT-60	2 x MT-TL M10 or 2 x MT FL
		MT-B-O2 OC	MT-30 S OC, MT-30 OC, MT-40 S OC, MT-40 OC, MT-50 S OC, MT-50 OC, MT-60 S OC, MT-60 OC	2 x MT-TL M10 OC or 2 x MT FL OC
6		MT-B-O4	MT-40D S, MT-40D	4 x MT-TL M10
		MT-B-O4 OC	MT-40D S OC, MT-40D OC	4 x MT-TL M10 OC
7		MT-B-GS T OC	MT-70 S OC, MT-70 OC	6 x MT-TFB OC
8			MT-80 S OC, MT-80 OC	10 x MT-TFB OC
9		MT-B-GS O4U OC	MT-70 S OC, MT-70 OC	6 x MT-TFB OC
10			MT-80 S OC, MT-80 OC	10 x MT-TFB OC

Hilti MT base connectors

Requirements for performance assessment

Annex B8

Table B6, continued: System specific configuration and loading directions of MT base connectors

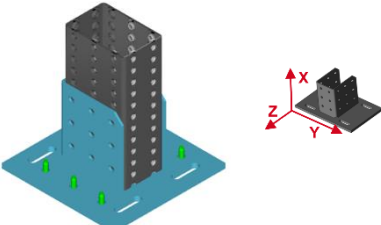
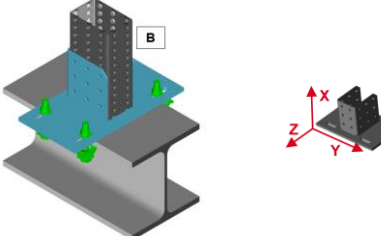
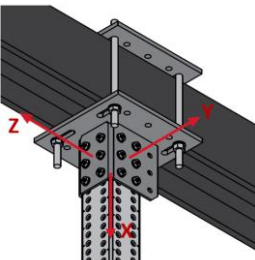
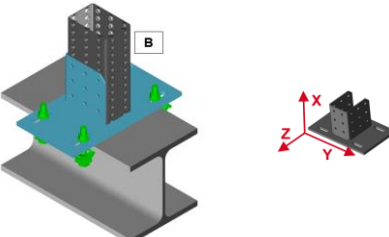
No	System configuration and Static action directions	HILTI base connector	HILTI installation channels	Number and type of HILTI channel connectors
11		MT-B-GL O4 OC	MT-90 S OC, MT-90 OC	24 x MT-TFB OC
12		MT-B-GXL O4 OC	MT-100 S OC, MT-100 OC	30 x MT-TFB OC
13		MT-B-GXL S1 OC	Channel B: MT-90 S OC, MT-90 OC	18 x MT-TFB OC
14			Channel B: MT-100 S OC, MT-100 OC	24 x MT-TFB OC
15		MT-B-GXL S1 OC	MT-90 S OC, MT-90 OC	18 x MT-TFB OC
16			MT-100 S OC, MT-100 OC	24 x MT-TFB OC

Hilti MT base connectors

Requirements for performance assessment

Annex B9

Table B6, continued: System specific configuration and loading directions of MT base connectors

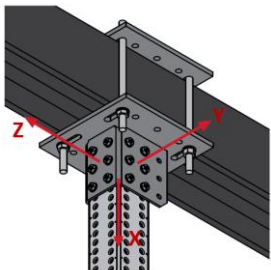
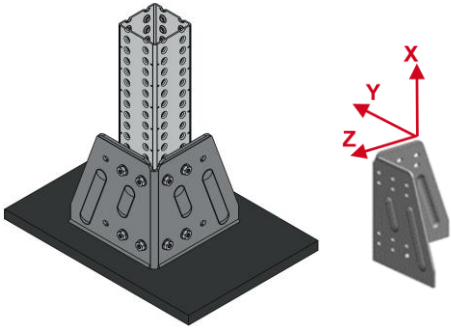
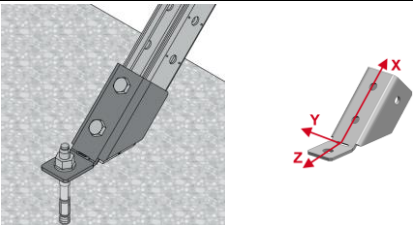
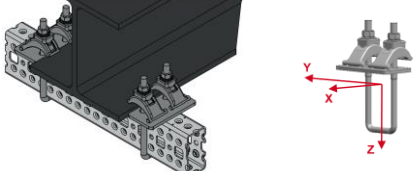
No	System configuration and Static action directions	HILTI base connector	HILTI installation channels	Number and type of HILTI channel connectors
17		MT-B-GXL S1 OC	MT-90 S OC, MT-90 OC	18 x MT-TFB OC
18			MT-100 S OC, MT-100 OC	24 x MT-TFB OC
19		MT-B-GXL S2 OC	MT-90 S OC, MT-90 OC	18 x MT-TFB OC
20			MT-100 S OC, MT-100 OC	24 x MT-TFB OC
21		MT-B-GXL S2 OC	MT-90 S OC, MT-90 OC	18 x MT-TFB OC
22			MT-100 S OC, MT-100 OC	24 x MT-TFB OC
23		MT-B-GXL S3 OC	MT-90 S OC, MT-90 OC	18 x MT-TFB OC
24			MT-100 S OC, MT-100 OC	24 x MT-TFB OC

Hilti MT base connectors

Requirements for performance assessment

Annex B10

Table B6, continued: System specific configuration and loading directions of MT base connectors

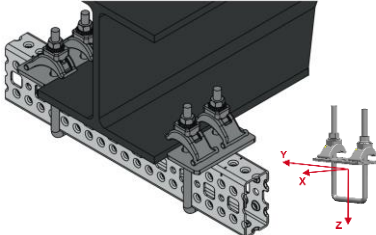
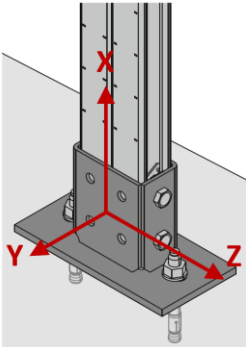
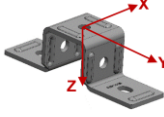

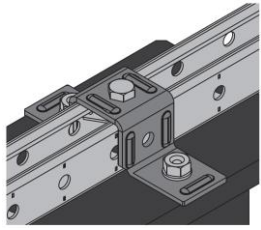
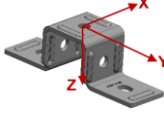

No	System configuration and Static action directions	HILTI base connector	HILTI installation channels	Number and type of HILTI channel connectors
25		MT-B-GXL S3 OC	MT-90 S OC, MT-90 OC	18 x MT-TFB OC
26			MT-100 S OC, MT-100 OC	24 x MT-TFB OC
27		MT-B-G WS NC	MT-70 S OC, MT-70 OC	4 x MT-TFB OC
28			MT-80 S OC, MT-80 OC	6 x MT-TFB OC
29			MT-90 S OC, MT-90 OC	8 x MT-TFB OC
30			MT-100 S OC, MT-100 OC	8 x MT-TFB OC
31		MT-AB-L 45	MT-40 S, MT-40, MT-50 S, MT-50	2 x MT-TL M10
32		MT-AB-L 45 OC	MT-40 S OC, MT-40 OC, MT-50 S OC, MT-50 OC	2 x MT-TL M10 OC
33		MT-BC-GS T OC	MT-70 S OC, MT-70 OC, MT-80 S OC, MT-80 OC	-

Hilti MT base connectors

Requirements for performance assessment

Annex B11

Table B6, continued: System specific configuration and loading directions of MT base connectors

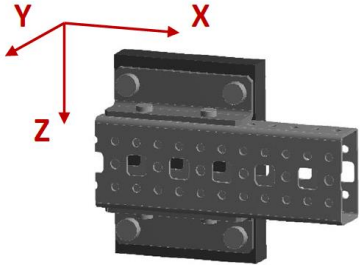
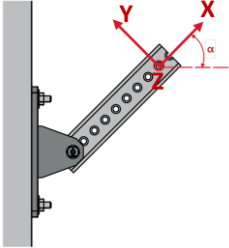
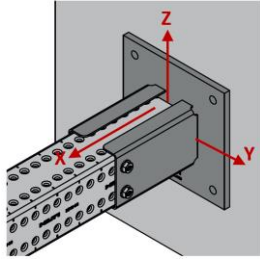
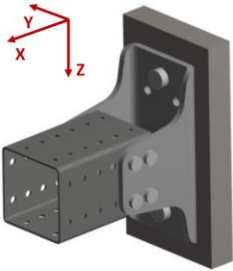
No	System configuration and Static action directions	HILTI base connector	HILTI installation channels	Number and type of HILTI channel connectors
34		MT-BC-GXL T OC	MT-90 S OC, MT-90 OC, MT-100 S OC, MT-100 OC	-
35		MT-B-O2B	MT-40D S, MT-40D	4 x MT-TL M10 or 4 x MT-FL
36		MT-B-O2B OC	MT-40D S OC, MT-40D OC	4 x MT-TL M10 OC or 4 x MT-FL OC
37		 1x MT-CC-BC 40/50	MT-40 S, MT-40, MT-50 S, MT-50	1 x MT-TL M10 or 1 x MT-FL
		 1x MT-CC-BC 40/50 OC	MT-40 S OC, MT-40 OC, MT-50 S OC, MT-50 OC	1 x MT-TL M10 or 1 x MT-FL
38		 1x MT-CC-BS 40/50	MT-40 S, MT-40, MT-50 S, MT-50	1 x MT-TL M10 or 1 x MT-FL
		 1x MT-CC-BS 40/50 OC	MT-40 S OC, MT-40 OC, MT-50 S OC, MT-50 OC	1 x MT-TL M10 or 1 x MT-FL

Hilti MT base connectors

Requirements for performance assessment

Annex B12

Table B6, continued: System specific configuration and loading directions of MT base connectors

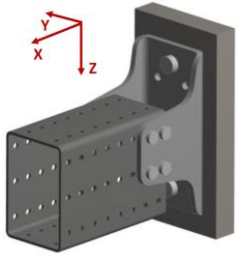
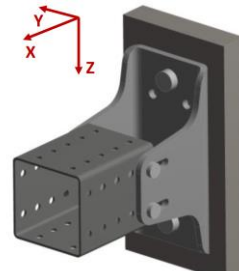
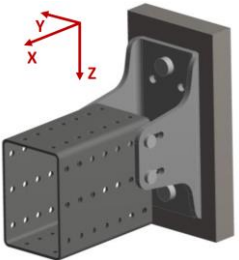
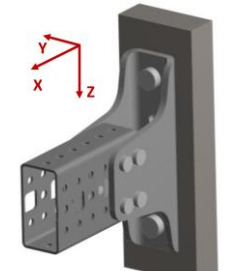
No	System configuration and Static action directions	HILTI base connector	HILTI installation channels	Number and type of HILTI channel connectors
39		2x MT-B-G AS OC	MT-80 S OC, MT-80 OC	4 x MT-TFB OC For MT-80 S OC and MT-80 OC : Connectors fixed in the short side of the rectangular cross section
40	 <p>Angle α applies for $30^\circ \leq \alpha \leq 60^\circ$</p>	MT-B-GS AB OC	MT-70 S OC, MT-70 OC MT-80 S OC, MT-80 OC	2 x MT-TFB OC
41		MT-B-GL O4C OC	MT-90 S OC, MT-90 OC	6 x MT-TFB OC
42		MT-B-GL EDB OC	MT-90 S OC, MT-90 OC	8 x MT-TFB OC

Hilti MT base connectors

Requirements for performance assessment

Annex B13

Table B6, continued: System specific configuration and loading directions of MT base connectors

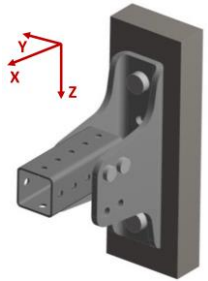
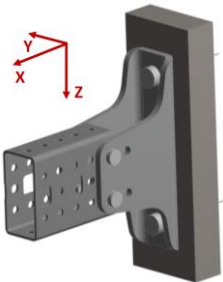
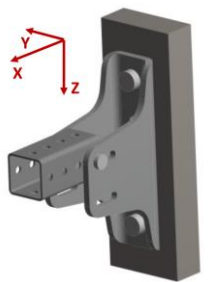
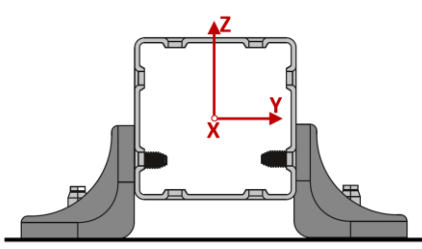
No	System configuration and Static action directions	HILTI base connector	HILTI installation channels	Number and type of HILTI channel connectors
43		MT-B-GL EDB OC	MT-100 S OC, MT-100 OC	8 x MT-TFB OC
44		MT-B-GL EDB A OC	MT-90 S OC, MT-90 OC	4 x MT-TFB OC
45		MT-B-GL EDB A OC	MT-100 S OC, MT-100 OC	4 x MT-TFB OC
46		MT-B-GS EDB OC	MT-80 S OC, MT-80 OC	8 x MT-TFB OC

Hilti MT base connectors

Requirements for performance assessment

Annex B14

Table B6, continued: System specific configuration and loading directions of MT base connectors

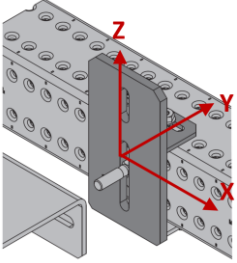
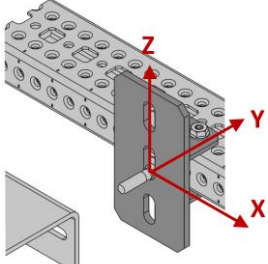
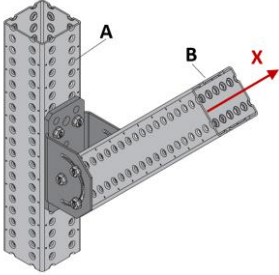
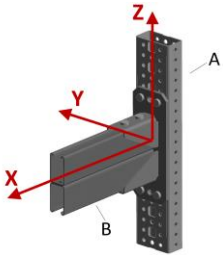
No	System configuration and Static action directions	HILTI base connector	HILTI installation channels	Number and type of HILTI channel connectors
47		MT-B-GS EDB OC	MT-70 S OC, MT-70 OC	4 x MT-TFB OC
48		MT-B-GS EDB A OC	MT-80 S OC, MT-80 OC	4 x MT-TFB OC
49		MT-B-GS EDB A OC	MT-70 S OC, MT-70 OC	2 x MT-TFB OC
50		MT-B-EDB A OC	MT-90 S OC, MT-90 OC	4 x MT-TFB OC

Hilti MT base connectors

Requirements for performance assessment

Annex B15

Table B6, continued: System specific configuration and loading directions of MT base connectors

No	System configuration and Static action directions	HILTI base connector	HILTI installation channels	Number and type of HILTI channel connectors
51		MT-BRL-EDB M12 or MT-BRL-EDB M16	MT-90 S OC, MT-90 OC	4 x MT-TFB OC
52		MT-BRS-EDB M12 or MT-BRS-EDB M16	MT-80 S OC, MT-80 OC	4 x MT-TFB OC
53		MT-B GL AB OC	A : MT-80 S OC, MT-80 OC MT-90 S OC, MT-90 OC MT-100 S OC, MT-100 OC B : MT-100 S OC, MT-100 OC	4 x MT-TFB OC
54		1 x MT-B-O2B 60D 1 x MT-B-O2B 60D OC	A : MT-80 S OC, MT-80 OC MT-90 S OC, MT-90 OC MT-100 S OC, MT-100 OC B : MT-60D, MT-60D OC	4 x MT-TFB OC 4 x MT-TL M10

Hilti MT base connectors

Requirements for performance assessment

Annex B16

Table C1: Characteristic resistance of the base connectors MT-B-L, MT-B-L FL, MT-B-L OC and MT-B-L FL OC in combination with channels and channel connectors acc. to Table B6, no. 1

+ F _{x, Rk} [kN]	- F _{x, Rk} [kN]	+ F _{y, Rk} [kN]	- F _{y, Rk} [kN]	+ F _{z, Rk} [kN]	- F _{z, Rk} [kN]
6.85	10.59	0	0	0	0
+/- M _{x, Rk} [kNm]	+/- M _{y, Rk} [kNm]	+/- M _{z, Rk} [kNm]			
0	0	0			

Table C2: Characteristic resistance of the base connectors MT-B-T, MT-B-T FL, MT-B-T OC and MT-B-T FL OC in combination with channels and channel connectors acc. to Table B6, no. 2

+ F _{x, Rk} [kN]	- F _{x, Rk} [kN]	+ F _{y, Rk} [kN]	- F _{y, Rk} [kN]	+ F _{z, Rk} [kN]	- F _{z, Rk} [kN]
10.99	12.6	1.61	1.61	0.88	0.88
+/- M _{x, Rk} [kNm]	+/- M _{y, Rk} [kNm]	+/- M _{z, Rk} [kNm]			
0.079	0.09	0.053			

Table C3: Characteristic resistance of the base connectors MT-B-T and MT-B-T OC in combination with channels and channel connectors acc. to Table B, no. 3

+ F _{x, Rk} [kN]	- F _{x, Rk} [kN]	+ F _{y, Rk} [kN]	- F _{y, Rk} [kN]	+ F _{z, Rk} [kN]	- F _{z, Rk} [kN]
11.43	12.6	0.88	0.88	4.93	4.93
+/- M _{x, Rk} [kNm]	+/- M _{y, Rk} [kNm]	+/- M _{z, Rk} [kNm]			
0.079	0.09	0.053			

Table C4: Characteristic resistance of the base connectors MT-B-O2, MT-B-O2 FL, MT-B-O2 OC and MT-B-O2 FL OC in combination with channels and channel connectors acc. to Table B6, no. 4

+ F _{x, Rk} [kN]	- F _{x, Rk} [kN]	+ F _{y, Rk} [kN]	- F _{y, Rk} [kN]	+ F _{z, Rk} [kN]	- F _{z, Rk} [kN]
17.89	14.0	2.43	2.43	7.34	7.34
+/- M _{x, Rk} [kNm]	+/- M _{y, Rk} [kNm]	+/- M _{z, Rk} [kNm]			
0.06	1.72	0.23			

Table C5: Characteristic resistance of the base connectors MT-B-O2 and MT-B-O2 OC in combination with channels and channel connectors acc. to Table B6, no. 5

+ F _{x, Rk} [kN]	- F _{x, Rk} [kN]	+ F _{y, Rk} [kN]	- F _{y, Rk} [kN]	+ F _{z, Rk} [kN]	- F _{z, Rk} [kN]
12.60	12.60	2.43	2.43	7.34	7.34
+/- M _{x, Rk} [kNm]	+/- M _{y, Rk} [kNm]	+/- M _{z, Rk} [kNm]			
0.04	0.876	0.097			

Hilti MT base connectors

Characteristic resistances

Annex C1

Table C6: Characteristic resistance of the base connectors MT-B-O4 and MT-B-O4 OC in combination with channels and channel connectors acc. to Table B6, no. 6

+ F _{x,Rk} [kN]	- F _{x,Rk} [kN]	+ F _{y,Rk} [kN]	- F _{y,Rk} [kN]	+ F _{z,Rk} [kN]	- F _{z,Rk} [kN]
17.64	17.64	5.0	5.0	26.92	26.92
+/- M _{x,Rk} [kNm]	+/- M _{y,Rk} [kNm]	+/- M _{z,Rk} [kNm]			
0.448	4.77	2.3			

Table C7: Characteristic resistance of the base connectors MT-B-GS T OC in combination with channels and channel connectors acc. to Table B6, no. 7

+ F _{x,Rk} [kN]	- F _{x,Rk} [kN]	+ F _{y,Rk} [kN]	- F _{y,Rk} [kN]	+ F _{z,Rk} [kN]	- F _{z,Rk} [kN]
36.79	74.40	20.04	20.04	26.83	28.5
M _{x,Rk} [kNm]	+M _{y,Rk} [kNm]	-M _{y,Rk} [kNm]	M _{z,Rk} [kNm]		
0.921	1.857	2.125	1.48		

Table C8: Characteristic resistance of the base connectors MT-B-GS T OC in combination with channels and channel connectors acc. to Annex B4, Table B6, no. 8

+ F _{x,Rk} [kN]	- F _{x,Rk} [kN]	+ F _{y,Rk} [kN]	- F _{y,Rk} [kN]	+ F _{z,Rk} [kN]	- F _{z,Rk} [kN]
57.30	106.45	20.12	20.12	44.42	40.90
M _{x,Rk} [kNm]	+M _{y,Rk} [kNm]	-M _{y,Rk} [kNm]	M _{z,Rk} [kNm]		
1.35	2.57	2.22	1.92		

Table C9: Characteristic resistance of the base connectors MT-B-GS O4U OC in connection with channels and channel connectors acc. to Table B6, no. 9

+ F _{x,Rk} [kN]	- F _{x,Rk} [kN]	+ F _{y,Rk} [kN]	- F _{y,Rk} [kN]	+ F _{z,Rk} [kN]	- F _{z,Rk} [kN]
133.78	167.42	26.42	26.42	43.53	29.65
M _{x,Rk} [kNm]	+M _{y,Rk} [kNm]	-M _{y,Rk} [kNm]	M _{z,Rk} [kNm]		
1.22	2.3	2.76	2.13		

Table C10: Characteristic resistance of the base connectors MT-B-GS O4U OC in combination with channels and channel connectors acc. to Table B6, no. 10

+ F _{x,Rk} [kN]	- F _{x,Rk} [kN]	+ F _{y,Rk} [kN]	- F _{y,Rk} [kN]	+ F _{z,Rk} [kN]	- F _{z,Rk} [kN]
150.85	219.49	29.46	29.46	46.53	43.64
M _{x,Rk} [kNm]	+M _{y,Rk} [kNm]	-M _{y,Rk} [kNm]	M _{z,Rk} [kNm]		
2.27	5.55	5.99	3.19		

Table C11: Characteristic resistance of the base connectors MT-B-GL O4 OC in combination with channels and channel connectors acc. to Table B6, no. 11

+ F _{x,Rk} [kN]	- F _{x,Rk} [kN]	+ F _{y,Rk} [kN]	- F _{y,Rk} [kN]	+ F _{z,Rk} [kN]	- F _{z,Rk} [kN]
201.97	360.72	91.12	91.12	91.12	91.12
M _{x,Rk} [kNm]	M _{y,Rk} [kNm]	M _{z,Rk} [kNm]			
9.53	13.33	13.33			

Hilti MT base connectors

Characteristic resistances

Annex C2

Table C12: Characteristic resistance of the base connectors MT-B-GXL O4 OC in combination with channels and channel connectors acc. to Table B6, no. 12

+ F _{x, Rk} [kN]	- F _{x, Rk} [kN]	+ F _{y, Rk} [kN]	- F _{y, Rk} [kN]	+ F _{z, Rk} [kN]	- F _{z, Rk} [kN]
240.43	638.28	144.67	144.67	154.18	154.18
M _{x, Rk} [kNm]	M _{y, Rk} [kNm]	M _{z, Rk} [kNm]			
16.87	32.28	23.22			

Table C13: Characteristic resistance of the base connectors MT-B-GXL S1 OC in combination with channels and channel connectors acc. to Table B6, no. 13

+ F _{x, Rk} [kN]	- F _{x, Rk} [kN]	+ F _{y, Rk} [kN]	- F _{y, Rk} [kN]	+ F _{z, Rk} [kN]	- F _{z, Rk} [kN]
183.31	385.34	42.86	42.86	35.74	35.64
M _{x, Rk} [kNm]	+M _{y, Rk} [kNm]	-M _{y, Rk} [kNm]	M _{z, Rk} [kNm]		
6.08	12.34	12.81	12.72		

Table C14: Characteristic resistance of the base connectors MT-B-GXL S1 OC in combination with channels and channel connectors acc. to Table B6, no. 14

+ F _{x, Rk} [kN]	- F _{x, Rk} [kN]	+ F _{y, Rk} [kN]	- F _{y, Rk} [kN]	+ F _{z, Rk} [kN]	- F _{z, Rk} [kN]
194.33	572.47	43.21	43.21	36.34	36.11
M _{x, Rk} [kNm]	+M _{y, Rk} [kNm]	-M _{y, Rk} [kNm]	M _{z, Rk} [kNm]		
6.27	18.11	19.53	16.04		

Table C15: Characteristic resistance of the base connectors MT-B-GXL S1 OC in combination with channels and channel connectors acc. to Table B6, no. 15

+ F _{x, Rk} [kN]	- F _{x, Rk} [kN]	+ F _{y, Rk} [kN]	- F _{y, Rk} [kN]	+ F _{z, Rk} [kN]	- F _{z, Rk} [kN]
96.00	350.31	10.31	10.31	10.31	10.31
M _{x, Rk} [kNm]	+M _{y, Rk} [kNm]	-M _{y, Rk} [kNm]	M _{z, Rk} [kNm]		
1.21	10.32	10.32	4.27		

Table C16: Characteristic resistance of the base connectors MT-B-GXL S1 OC in combination with channels and channel connectors acc. to Table B6, no. 16

+ F _{x, Rk} [kN]	- F _{x, Rk} [kN]	+ F _{y, Rk} [kN]	- F _{y, Rk} [kN]	+ F _{z, Rk} [kN]	- F _{z, Rk} [kN]
96.00	520.43	10.31	10.31	10.31	10.31
M _{x, Rk} [kNm]	+M _{y, Rk} [kNm]	-M _{y, Rk} [kNm]	M _{z, Rk} [kNm]		
1.21	10.32	10.32	4.27		

Table C17: Characteristic resistance of the base connectors MT-B-GXL S1 OC in combination with channels and channel connectors acc. to Table B6, no. 17

+ F _{x, Rk} [kN]	- F _{x, Rk} [kN]	+ F _{y, Rk} [kN]	- F _{y, Rk} [kN]	+ F _{z, Rk} [kN]	- F _{z, Rk} [kN]
294.89	359.55	52.45	52.45	83.98	72.88
M _{x, Rk} [kNm]	+M _{y, Rk} [kNm]	-M _{y, Rk} [kNm]	M _{z, Rk} [kNm]		
7.03	12.43	13.09	13.21		

Hilti MT base connectors

Characteristic resistances

Annex C3

Table C18: Characteristic resistance of the base connectors MT-B-GXL S1 OC in combination with channels and channel connectors acc. to Table B6, no. 18

+ F _{x,Rk} [kN]	- F _{x,Rk} [kN]	+ F _{y,Rk} [kN]	- F _{y,Rk} [kN]	+ F _{z,Rk} [kN]	- F _{z,Rk} [kN]
349.10	543.81	49.13	49.13	119.19	109.16
M _{x,Rk} [kNm]	+M _{y,Rk} [kNm]	-M _{y,Rk} [kNm]	M _{z,Rk} [kNm]		
10.03	20.72	24.56	20.72		

Table C19: Characteristic resistance of the base connectors MT-B-GXL S2 OC in combination with channels and channel connectors acc. to Table B6, no. 19

+ F _{x,Rk} [kN]	- F _{x,Rk} [kN]	+ F _{y,Rk} [kN]	- F _{y,Rk} [kN]	+ F _{z,Rk} [kN]	- F _{z,Rk} [kN]
96.00	217.62	10.31	10.31	10.31	10.31
M _{x,Rk} [kNm]	+M _{y,Rk} [kNm]	-M _{y,Rk} [kNm]	M _{z,Rk} [kNm]		
1.23	7.44	7.44	8.69		

Table C20: Characteristic resistance of the base connectors MT-B-GXL S2 OC in combination with channels and channel connectors acc. to Table B6, no. 20

+ F _{x,Rk} [kN]	- F _{x,Rk} [kN]	+ F _{y,Rk} [kN]	- F _{y,Rk} [kN]	+ F _{z,Rk} [kN]	- F _{z,Rk} [kN]
96.00	261.03	10.31	10.31	10.31	10.31
M _{x,Rk} [kNm]	+M _{y,Rk} [kNm]	-M _{y,Rk} [kNm]	M _{z,Rk} [kNm]		
1.23	7.44	7.44	8.69		

Table C21: Characteristic resistance of the base connectors MT-B-GXL S2 OC in combination with channels and channel connectors acc. to Table B6, no. 21

+ F _{x,Rk} [kN]	- F _{x,Rk} [kN]	+ F _{y,Rk} [kN]	- F _{y,Rk} [kN]	+ F _{z,Rk} [kN]	- F _{z,Rk} [kN]
109.13	239.38	40.34	40.34	30.48	30.86
M _{x,Rk} [kNm]	+M _{y,Rk} [kNm]	-M _{y,Rk} [kNm]	M _{z,Rk} [kNm]		
5.87	10.19	10.78	12.00		

Table C22: Characteristic resistance of the base connectors MT-B-GXL S2 OC in connection with channels and channel connectors acc. to Table B6, no. 22

+ F _{x,Rk} [kN]	- F _{x,Rk} [kN]	+ F _{y,Rk} [kN]	- F _{y,Rk} [kN]	+ F _{z,Rk} [kN]	- F _{z,Rk} [kN]
119.87	287.13	42.14	42.14	30.73	31.02
M _{x,Rk} [kNm]	+M _{y,Rk} [kNm]	-M _{y,Rk} [kNm]	M _{z,Rk} [kNm]		
5.79	13.12	13.20	13.70		

Table C23: Characteristic resistance of the base connectors MT-B-GXL S3 OC in combination with channels and channel connectors acc. to Table B6, no. 23

+ F _{x,Rk} [kN]	- F _{x,Rk} [kN]	+ F _{y,Rk} [kN]	- F _{y,Rk} [kN]	+ F _{z,Rk} [kN]	- F _{z,Rk} [kN]
60.32	139.97	10.31	10.31	10.31	10.31
M _{x,Rk} [kNm]	+M _{y,Rk} [kNm]	-M _{y,Rk} [kNm]	M _{z,Rk} [kNm]		
1.5	7.44	7.44	11.86		

Hilti MT base connectors

Characteristic resistances

Annex C4

Table C24: Characteristic resistance of the base connectors MT-B-GXL S3 OC in combination with channels and channel connectors acc. to Table B6, no. 24

+ F _{x, Rk} [kN]	- F _{x, Rk} [kN]	+ F _{y, Rk} [kN]	- F _{y, Rk} [kN]	+ F _{z, Rk} [kN]	- F _{z, Rk} [kN]
65.82	159.65	10.31	10.31	10.31	10.31
M _{x, Rk} [kNm]	+M _{y, Rk} [kNm]	-M _{y, Rk} [kNm]	M _{z, Rk} [kNm]		
1.50	7.44	7.44	11.86		

Table C25: Characteristic resistance of the base connectors MT-B-GXL S3 OC in combination with channels and channel connectors acc. to Table B6, no. 25

+ F _{x, Rk} [kN]	- F _{x, Rk} [kN]	+ F _{y, Rk} [kN]	- F _{y, Rk} [kN]	+ F _{z, Rk} [kN]	- F _{z, Rk} [kN]
66.35	153.97	40.76	40.76	29.02	29.30
M _{x, Rk} [kNm]	+M _{y, Rk} [kNm]	-M _{y, Rk} [kNm]	M _{z, Rk} [kNm]		
5.14	8.38	8.65	10.09		

Table C26: Characteristic resistance of the base connectors MT-B-GXL S3 OC in combination with channels and channel connectors acc. to Table B6, no. 26

+ F _{x, Rk} [kN]	- F _{x, Rk} [kN]	+ F _{y, Rk} [kN]	- F _{y, Rk} [kN]	+ F _{z, Rk} [kN]	- F _{z, Rk} [kN]
72.41	175.61	41.67	41.67	29.23	29.36
M _{x, Rk} [kNm]	+M _{y, Rk} [kNm]	-M _{y, Rk} [kNm]	M _{z, Rk} [kNm]		
4.93	10.02	8.96	11.05		

Table C27: Characteristic resistance of the base connectors MT-B-G WS NC in combination with channels and channel connectors acc. to Table B6, no. 27

+ F _{x, Rk} [kN]	- F _{x, Rk} [kN]	+ F _{y, Rk} [kN]	- F _{y, Rk} [kN]	+ F _{z, Rk} [kN]	- F _{z, Rk} [kN]
74.51	74.51	21.06	21.06	21.06	21.06
+M _{x, Rk} [kNm]	-M _{x, Rk} [kNm]	+M _{y, Rk} [kNm]	-M _{y, Rk} [kNm]	+M _{z, Rk} [kNm]	-M _{z, Rk} [kNm]
1.27	1.27	2.47	2.47	2.47	2.47

Table C28: Characteristic resistance of the base connectors MT-B-G WS NC in combination with channels and channel connectors acc. to Table B6, no. 28

+ F _{x, Rk} [kN]	- F _{x, Rk} [kN]	+ F _{y, Rk} [kN]	- F _{y, Rk} [kN]	+ F _{z, Rk} [kN]	- F _{z, Rk} [kN]
105.39	105.39	34.84	34.84	19.48	19.48
+M _{x, Rk} [kNm]	-M _{x, Rk} [kNm]	+M _{y, Rk} [kNm]	-M _{y, Rk} [kNm]	+M _{z, Rk} [kNm]	-M _{z, Rk} [kNm]
1.87	1.87	3.87	3.87	6.83	6.83

Table C29: Characteristic resistance of the base connectors MT-B-G WS NC in combination with channels and channel connectors acc. to Table B6, no. 29

+ F _{x, Rk} [kN]	- F _{x, Rk} [kN]	+ F _{y, Rk} [kN]	- F _{y, Rk} [kN]	+ F _{z, Rk} [kN]	- F _{z, Rk} [kN]
139.74	139.74	36.57	36.57	36.57	36.57
+M _{x, Rk} [kNm]	-M _{x, Rk} [kNm]	+M _{y, Rk} [kNm]	-M _{y, Rk} [kNm]	+M _{z, Rk} [kNm]	-M _{z, Rk} [kNm]
3.11	3.11	7.33	7.33	7.33	7.33

Hilti MT base connectors

Characteristic resistances

Annex C5

Table C30: Characteristic resistance of the base connectors MT-B-G WS NC in combination with channels and channel connectors acc. to Table B6, no. 30

+ F _{x, Rk} [kN]	- F _{x, Rk} [kN]	+ F _{y, Rk} [kN]	- F _{y, Rk} [kN]	+ F _{z, Rk} [kN]	- F _{z, Rk} [kN]
143.72	143.72	29.62	29.62	50.98	50.95
+ M _{x, Rk} [kNm]	- M _{x, Rk} [kNm]	+ M _{y, Rk} [kNm]	- M _{y, Rk} [kNm]	+ M _{z, Rk} [kNm]	- M _{z, Rk} [kNm]
5.16	5.16	10.34	10.34	8.55	8.55

Table C31: Characteristic resistance of the base connectors MT-AB-L 45 in combination with channels and channel connectors acc. to Table B6, no. 31

+ F _{x, Rk} [kN]	- F _{x, Rk} [kN]	+ F _{y, Rk} [kN]	- F _{y, Rk} [kN]	+ F _{z, Rk} [kN]	- F _{z, Rk} [kN]
10.45	8.67	0	0	0	0
M _{x, Rk} [kNm]	M _{y, Rk} [kNm]	M _{z, Rk} [kNm]			
0	0	0			

Table C32: Characteristic resistance of the base connectors MT-AB-L 45 OC in combination with channels and channel connectors acc. to Table B6, no. 32

+ F _{x, Rk} [kN]	- F _{x, Rk} [kN]	+ F _{y, Rk} [kN]	- F _{y, Rk} [kN]	+ F _{z, Rk} [kN]	- F _{z, Rk} [kN]
10.45	8.67	0	0	0	0
M _{x, Rk} [kNm]	M _{y, Rk} [kNm]	M _{z, Rk} [kNm]			
0	0	0			

Table C33: Characteristic resistance of the base connectors MT-BC-GS T OC in combination with channels and channel connectors acc. to Table B6, no. 33

+ F _{x, Rk} [kN]	- F _{x, Rk} [kN]	+ F _{y, Rk} [kN]	- F _{y, Rk} [kN]	+ F _{z, Rk} [kN]	- F _{z, Rk} [kN]
29.78	29.78	12.2	12.2	75.96	75.96
M _{x, Rk} [kNm]	M _{y, Rk} [kNm]	M _{z, Rk} [kNm]			
0	0	0			

Table C34: Characteristic resistance of the base connectors MT-BC-GXL T OC in combination with channels and channel connectors acc. to Table B6, no. 34

+ F _{x, Rk} [kN]	- F _{x, Rk} [kN]	+ F _{y, Rk} [kN]	- F _{y, Rk} [kN]	+ F _{z, Rk} [kN]	- F _{z, Rk} [kN]
18.73	18.73	17.51	17.51	102.32	102.32
M _{x, Rk} [kNm]	M _{y, Rk} [kNm]	M _{z, Rk} [kNm]			
0	0	0			

Table C35: Characteristic resistance of the base connectors MT-B-O2B in combination with channels and channel connectors acc. to Table B6, no. 35

+ F _{x, Rk} [kN]	- F _{x, Rk} [kN]	+ F _{y, Rk} [kN]	- F _{y, Rk} [kN]	+ F _{z, Rk} [kN]	- F _{z, Rk} [kN]
17.64	17.64	5.0	5.0	26.92	26.92
M _{x, Rk} [kNm]	M _{y, Rk} [kNm]	M _{z, Rk} [kNm]			
0.448	5.08	0.125			

Hilti MT base connectors

Characteristic resistances

Annex C6

Table C36: Characteristic resistance of the base connectors MT-B-O2B OC in combination with channels and channel connectors acc. to Table B6, no. 36

+ F _{x,Rk} [kN]	- F _{x,Rk} [kN]	+ F _{y,Rk} [kN]	- F _{y,Rk} [kN]	+ F _{z,Rk} [kN]	- F _{z,Rk} [kN]
17.64	17.64	5.0	5.0	26.92	26.92
M _{x,Rk} [kNm]	M _{y,Rk} [kNm]	M _{z,Rk} [kNm]			
0.448	5.08	0.125			

Table C37: Characteristic resistance of the base connectors MT-CC-BC 40/50, MT-CC-BC 40/50 OC, MT-CC-BS 40/50 and MT-CC-BS 40/50 OC in combination with channels and channel connectors acc. to Table B6, no. 37 and 38

+ F _{x,Rk} [kN]	- F _{x,Rk} [kN]	+ F _{y,Rk} [kN]	- F _{y,Rk} [kN]	+ F _{z,Rk} [kN]	- F _{z,Rk} [kN]
12.87	12.87	NPA	NPA	NPA	NPA
M _{x,Rk} [kNm]	M _{y,Rk} [kNm]	M _{z,Rk} [kNm]			
NPA	NPA	NPA			

Table C38: Characteristic resistance of the base connectors MT-B-G AS OC in combination with channels and channel connectors acc. to Table B6, no. 39

+ F _{x,Rk} [kN]	- F _{x,Rk} [kN]	+ F _{y,Rk} [kN]	- F _{y,Rk} [kN]	+ F _{z,Rk} [kN]	- F _{z,Rk} [kN]
77.7	77.7	11.7	37.5	39.4	39.4
M _{x,Rk} [kNm]	M _{y,Rk} [kNm]	+M _{z,Rk} [kNm]	-M _{z,Rk} [kNm]		
NPA	NPA	NPA	NPA		

Table C39: Characteristic resistance of the base connectors MT-B-GS AB OC in combination with channels and channel connectors acc. to Table B6, no. 40

+ F _{x,Rk} [kN]	- F _{x,Rk} [kN]	+ F _{y,Rk} [kN]	- F _{y,Rk} [kN]	+ F _{z,Rk} [kN]	- F _{z,Rk} [kN]
32.0	32.0	32.0	32.0	4.9	4.9
M _{x,Rk} [kNm]	M _{y,Rk} [kNm]	M _{z,Rk} [kNm]			
NPA	NPA	NPA			

Table C40: Characteristic resistance of the base connectors MT-B-GL O4C OC in combination with channels and channel connectors acc. to Table B6, no. 41

+ F _{x,Rk} [kN]	- F _{x,Rk} [kN]	+ F _{y,Rk} [kN]	- F _{y,Rk} [kN]	+ F _{z,Rk} [kN]	- F _{z,Rk} [kN]
73.1	73.1	16.7	16.7	24.2	23.9
M _{x,Rk} [kNm]	M _{y,Rk} [kNm]	M _{z,Rk} [kNm]			
NPA	NPA	NPA			

Table C41: Characteristic resistance of the base connectors MT-B-GL EDB OC in combination with channels and channel connectors acc. to Table B6, no. 42

+ F _{x,Rk} [kN]	- F _{x,Rk} [kN]	+ F _{y,Rk} [kN]	- F _{y,Rk} [kN]	+ F _{z,Rk} [kN]	- F _{z,Rk} [kN]
77.0	175.2	16.5	16.5	35.4	35.4
±M _{x,Rk} [kNm]	±M _{y,Rk} [kNm]	±M _{z,Rk} [kNm]			
3.179	4.665	2.840			

Hilti MT base connectors

Characteristic resistances

Annex C7

Table C42: Characteristic resistance of the base connectors MT-B-GL EDB OC in combination with channels and channel connectors acc. to Table B6, no. 43

+ F _{x,Rk} [kN]	- F _{x,Rk} [kN]	+ F _{y,Rk} [kN]	- F _{y,Rk} [kN]	+ F _{z,Rk} [kN]	- F _{z,Rk} [kN]
60.2	178.6	12.1	12.1	34.8	35.5
±M _{x,Rk} [kNm]	±M _{y,Rk} [kNm]	-M _{y,Rk} [kNm]	±M _{z,Rk} [kNm]		
2.196	4.73	4,98	2.757		

Table C43: Characteristic resistance of the base connectors MT-B-GL EDB A OC in combination with channels and channel connectors acc. to Table B6, no. 44

+ F _{x,Rk} [kN]	- F _{x,Rk} [kN]	+ F _{y,Rk} [kN]	- F _{y,Rk} [kN]	+ F _{z,Rk} [kN]	- F _{z,Rk} [kN]
5.0	5.0	9.7	9.7	33.9	33.9
±M _{x,Rk} [kNm]	±M _{y,Rk} [kNm]	±M _{z,Rk} [kNm]			
1.705	0.495	1.017			

Table C44: Characteristic resistance of the base connectors MT-B-GL EDB A OC in combination with channels and channel connectors acc. to Table B6, no. 45

+ F _{x,Rk} [kN]	- F _{x,Rk} [kN]	+ F _{y,Rk} [kN]	- F _{y,Rk} [kN]	+ F _{z,Rk} [kN]	- F _{z,Rk} [kN]
5.0	5.0	8.2	8.2	31.1	31.0
±M _{x,Rk} [kNm]	±M _{y,Rk} [kNm]	-M _{y,Rk} [kNm]	±M _{z,Rk} [kNm]		
1.643	0.538	0.52	1.100		

Table C45: Characteristic resistance of the base connectors MT-B-GS EDB OC in combination with channels and channel connectors acc. to Table B6, no. 46

+ F _{x,Rk} [kN]	- F _{x,Rk} [kN]	+ F _{y,Rk} [kN]	- F _{y,Rk} [kN]	+ F _{z,Rk} [kN]	- F _{z,Rk} [kN]
75.8	153.3	13.0	13.0	31.6	31.6
±M _{x,Rk} [kNm]	±M _{y,Rk} [kNm]	±M _{z,Rk} [kNm]			
0.982	4.749	1.315			

Table C46: Characteristic resistance of the base connectors MT-B-GS EDB OC in combination with channels and channel connectors acc. to Table B6, no. 47

+ F _{x,Rk} [kN]	- F _{x,Rk} [kN]	+ F _{y,Rk} [kN]	- F _{y,Rk} [kN]	+ F _{z,Rk} [kN]	- F _{z,Rk} [kN]
69.8	80.8	6.4	6.4	29.1	29.5
±M _{x,Rk} [kNm]	±M _{y,Rk} [kNm]	-M _{y,Rk} [kNm]	±M _{z,Rk} [kNm]		
0.45	0.27	0,28	0.862		

Table C47: Characteristic resistance of the base connectors MT-B-GS EDB A OC in combination with channels and channel connectors acc. to Table B6, no. 48

+ F _{x,Rk} [kN]	- F _{x,Rk} [kN]	+ F _{y,Rk} [kN]	- F _{y,Rk} [kN]	+ F _{z,Rk} [kN]	- F _{z,Rk} [kN]
5.0	5.0	7.8	7.8	29.5	29.5
±M _{x,Rk} [kNm]	±M _{y,Rk} [kNm]	±M _{z,Rk} [kNm]			
0.689	0.510	0.576			

Hilti MT base connectors

Characteristic resistances

Annex C8

Table C48: Characteristic resistance of the base connectors MT-B-GS EDB A OC in combination with channels and channel connectors acc. to Table B6, no. 49

+ F _{x, Rk} [kN]	- F _{x, Rk} [kN]	+ F _{y, Rk} [kN]	- F _{y, Rk} [kN]	+ F _{z, Rk} [kN]	- F _{z, Rk} [kN]
2.5	2.5	6.2	6.2	30.9	30.8
±M _{x, Rk} [kNm]	±M _{y, Rk} [kNm]	±M _{z, Rk} [kNm]			
0.313	0	0			

Table C49: Characteristic resistance of the base connectors MT-B-EDB A OC in combination with channels and channel connectors acc. to Table B6, no. 50

+ F _{x, Rk} [kN]	- F _{x, Rk} [kN]	+ F _{y, Rk} [kN]	- F _{y, Rk} [kN]	+ F _{z, Rk} [kN]	- F _{z, Rk} [kN]
17.78	17.78	9.79	9.79	48.6	48.6
M _{x, Rk} [kNm]	M _{y, Rk} [kNm]	M _{z, Rk} [kNm]			
NPA	NPA	4.96			

Table C50: Characteristic resistance of the base connectors MT-BRL-EDB M12 and MT-BRL-EDB M16 in combination with channels and channel connectors acc. to Table B6, no. 51

+ F _{x, Rk} [kN]	- F _{x, Rk} [kN]	+ F _{y, Rk} [kN]	- F _{y, Rk} [kN]	+ F _{z, Rk} [kN]	- F _{z, Rk} [kN]
31.25	31.25	34.92	39.08	NPA	NPA
M _{x, Rk} [kNm]	M _{y, Rk} [kNm]	M _{z, Rk} [kNm]			
NPA	NPA	NPA			

Table C51: Characteristic resistance of the base connectors MT-BRS-EDB M12 and MT-BRS DB M16 in combination with channels and channel connectors acc. to Table B6, no. 52

+ F _{x, Rk} [kN]	- F _{x, Rk} [kN]	+ F _{y, Rk} [kN]	- F _{y, Rk} [kN]	+ F _{z, Rk} [kN]	- F _{z, Rk} [kN]
27.56	27.56	22.88	44.16	NPA	NPA
M _{x, Rk} [kNm]	M _{y, Rk} [kNm]	M _{z, Rk} [kNm]			
NPA	NPA	NPA			

Table C52: Characteristic resistance of the base connectors MT-B GL AB OC in combination with channels and channel connectors acc. to Table B6, no. 53

+ F _{x, Rk} [kN]	- F _{x, Rk} [kN]	+ F _{y, Rk} [kN]	- F _{y, Rk} [kN]	+ F _{z, Rk} [kN]	- F _{z, Rk} [kN]
18.2	18.2	NPA	NPA	NPA	NPA
M _{x, Rk} [kNm]	M _{y, Rk} [kNm]	M _{z, Rk} [kNm]			
NPA	NPA	NPA			

Hilti MT base connectors

Characteristic resistances

Annex C9

Table C53: Characteristic resistance of the base connectors MT-B-O2B 60D and MT-B-O2B 60D OC in combination with channels and channel connectors acc. to Table B6, no. 54

$+ F_{x, Rk}$ [kN]	$- F_{x, Rk}$ [kN]	$+ F_{y, Rk}$ [kN]	$- F_{y, Rk}$ [kN]	$+ F_{z, Rk}$ [kN]	$- F_{z, Rk}$ [kN]
26.47	31.94	10.21	10.21	21.55	21.55
$M_{x, Rk}$ [kNm]	$M_{y, Rk}$ [kNm]	$M_{z, Rk}$ [kNm]			
8.67	9.56	2.86			

Designation

$F_{x,R}$ Resistance in direction of local x-Axis
 $F_{y,R}$ Resistance in direction of local y-Axis
 $F_{z,R}$ Resistance in direction of local z-Axis

$M_{x,R}$ Resistance around local x-Axis
 $M_{y,R}$ Resistance around local y-Axis
 $M_{z,R}$ Resistance around local z-Axis

All characteristic resistances for ambient temperatures do not consider deflections.
 Partial safety factor for design resistance is $\gamma_M = F_{Rk} / F_{Rd}$ or $\gamma_M = M_{Rk} / M_{Rd}$.
 For design resistances the manufacturer's specifications and national regulations must be observed.

Hilti MT base connectors	Annex C10
Characteristic resistances	