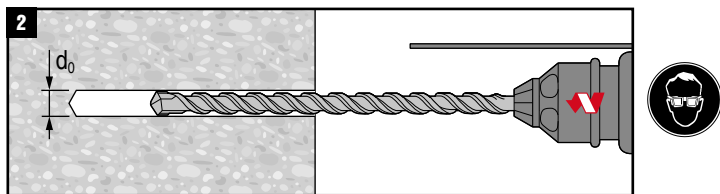
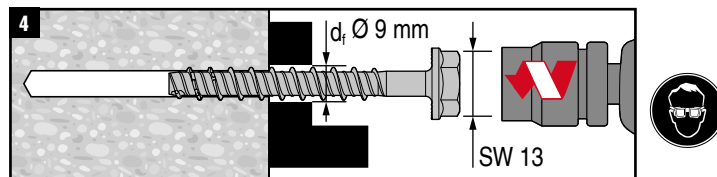
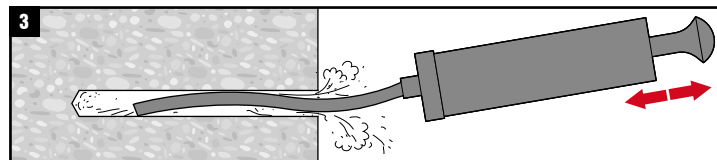


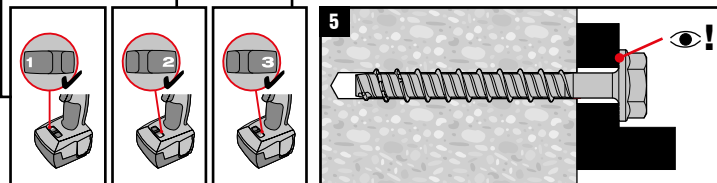
1.1	HUS-HR	h ₁	h ₁	t _{fix}
	6 x 35	45 mm - t _{fix}	38 mm - t _{fix}	0 ... 5 mm
	6 x 45	55 mm - t _{fix}	48 mm - t _{fix}	10 ... 15 mm
	6 x 60	70 mm - t _{fix}	63 mm - t _{fix}	5 ... 30 mm
	6 x 70	80 mm - t _{fix}	73 mm - t _{fix}	15 ... 40 mm

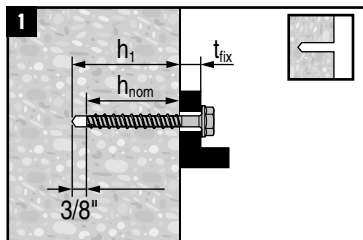


2.1			
d ₀	Ø 6 mm	Ø 6 mm	Ø 5 mm

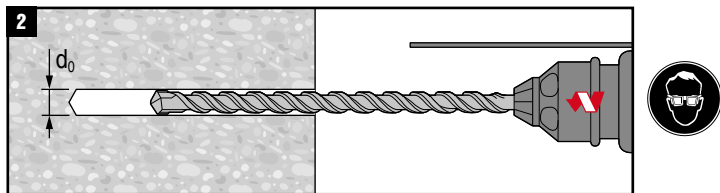


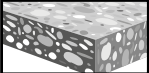
4.1		h _{nom} 30 mm	35 mm	55 mm	55 mm	55 mm
	SIW 14-A	<input checked="" type="checkbox"/>	<input checked="" type="checkbox"/>	<input checked="" type="checkbox"/>	<input type="checkbox"/>	<input type="checkbox"/>
	SIW 22-A	<input checked="" type="checkbox"/>	<input checked="" type="checkbox"/>	<input checked="" type="checkbox"/>	<input type="checkbox"/>	<input type="checkbox"/>
	SIW 22T-A	<input type="checkbox"/>	<input type="checkbox"/>	<input type="checkbox"/>	<input type="checkbox"/>	<input type="checkbox"/>
	SI 100	<input type="checkbox"/>	<input type="checkbox"/>	<input type="checkbox"/>	<input type="checkbox"/>	<input type="checkbox"/>
		<input type="checkbox"/>	<input type="checkbox"/>	<input type="checkbox"/>	10 Nm	4 Nm

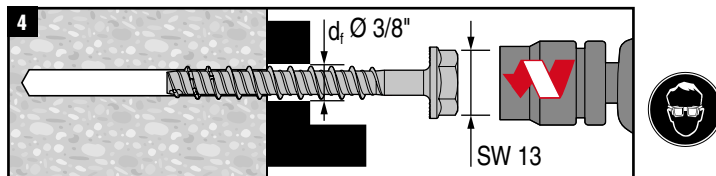
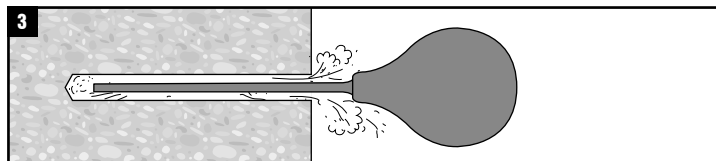


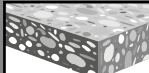




1.1	HUS-HR 6	h_1	t_{fix}	
			$h_{nom1} = 1-3/16"$	$h_{nom2} = 2-3/16"$
	HUS-HR 6x35	$1-3/4" - t_{fix}$	0" ... 3/16"	-
	HUS-HR 6x45	$2-3/16" - t_{fix}$	0" ... 9/16"	-
	HUS-HR 6x60	$2-3/4" - t_{fix}$	-	0" ... 3/16"
	HUS-HR 6x70	$3-1/8" - t_{fix}$	-	0" ... 9/16"



2.1	
	
d_0	$\varnothing 6 \text{ mm}$



4.1		h_{nom}	
		1-3/16"	2-3/16"
	SIW 14-A	<input checked="" type="checkbox"/>	<input checked="" type="checkbox"/>
	SIW 22-A	<input checked="" type="checkbox"/>	<input checked="" type="checkbox"/>
		