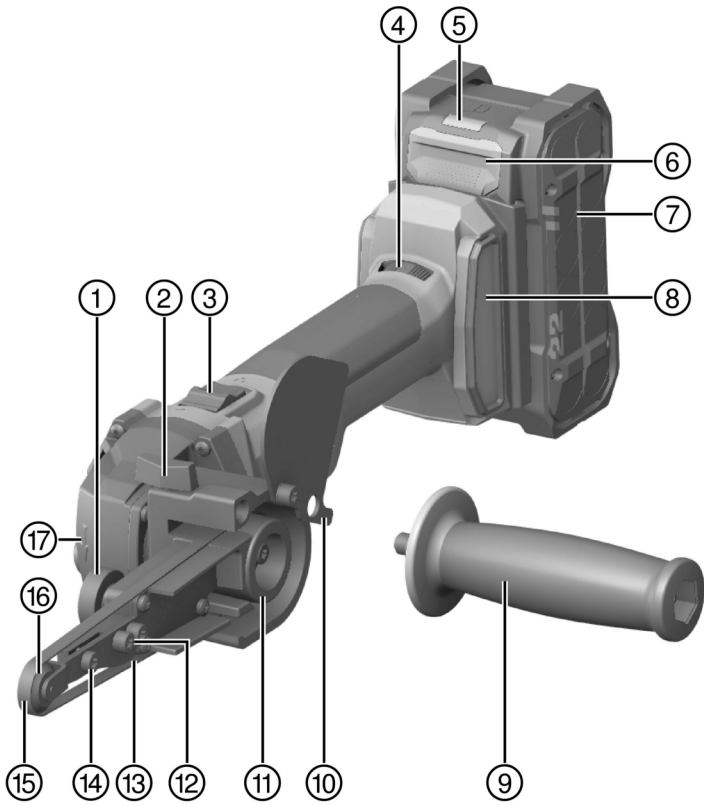
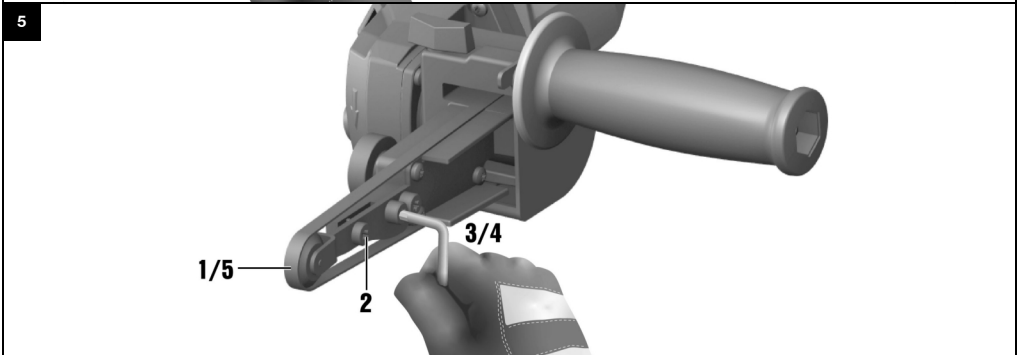
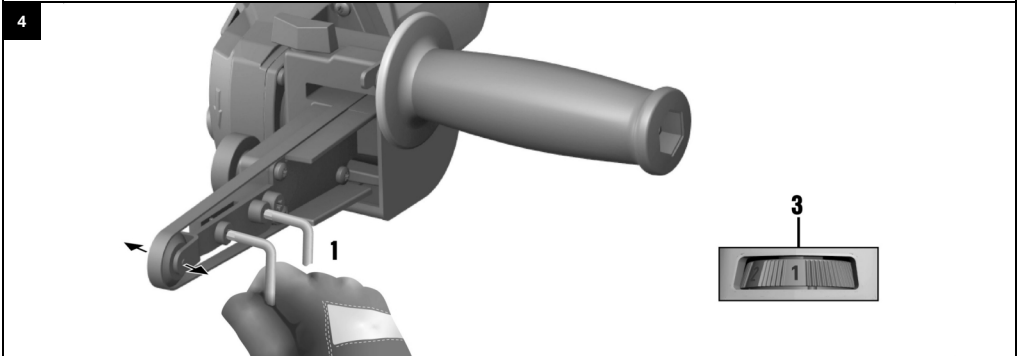
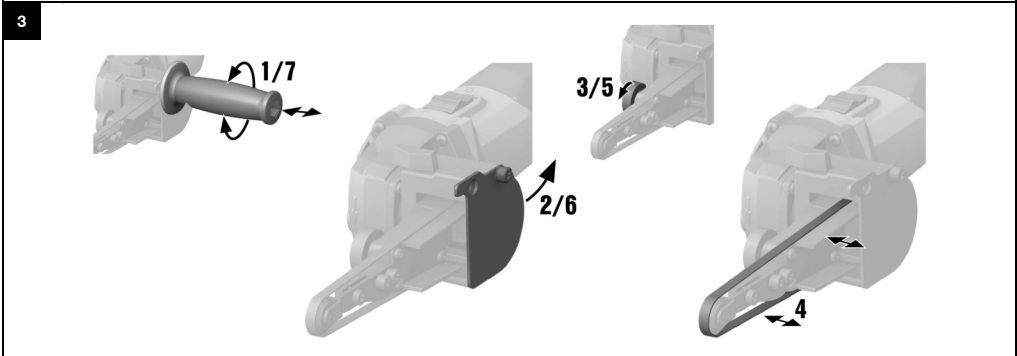
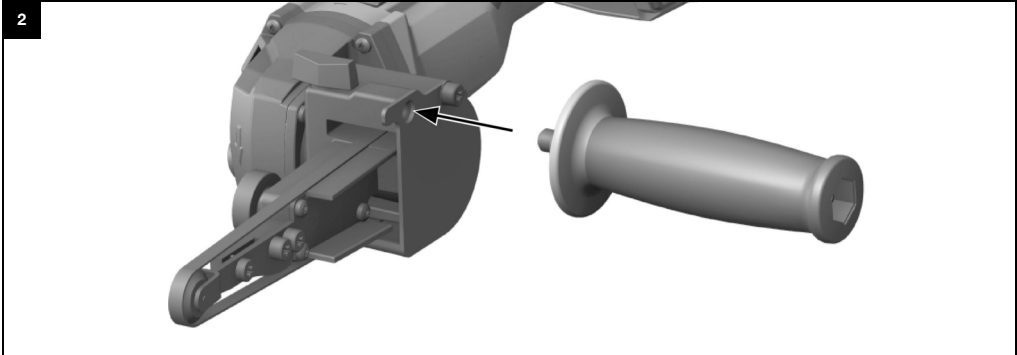




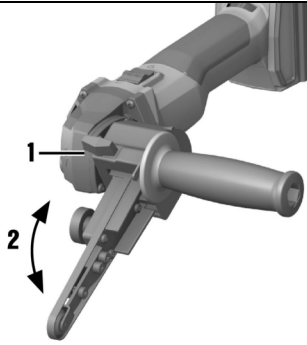
GFB 6X-22 (02)

English	1
Français	10
Español	19
Português	29

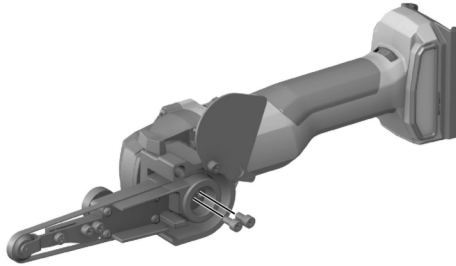




6



7



en Original operating instructions

Information about the operating instructions

About these operating instructions

- **Warning!** Read and understand all accompanying documentation, including but not limited to instructions, safety warnings, illustrations, and specifications provided with this product. Familiarize yourself with all the instructions, safety warnings, illustrations, specifications, components, and functions of the product before use. Failure to do so may result in electric shock, fire, and/or serious injury. Save all warnings and instructions for future reference.
- products are designed for professional users and only trained, authorized personnel are permitted to operate, service and maintain the products. This personnel must be specifically informed about the possible hazards. The product and its ancillary equipment can present hazards if used incorrectly by untrained personnel or if used not in accordance with the intended use.
- The accompanying documentation corresponds to the current state of the art at the time of printing. Please always check for the latest version on the product's page on Hilti's website. To do this, follow the link or scan the QR code in this documentation, marked with the symbol
- Ensure that these operating instructions are with the product when it is given to other persons.

Explanation of symbols

Warnings

Warnings alert persons to hazards that occur when handling or using the product. The following signal words are used:



DANGER

DANGER !

- ▶ Draws attention to imminent danger that will lead to serious personal injury or fatality.



WARNING

WARNING !

- ▶ Draws attention to a potential threat of danger that can lead to serious injury or fatality.



CAUTION

CAUTION !

- ▶ Draws attention to a potentially dangerous situation that could lead to personal injury or damage to the equipment or other property.

Symbols in the operating instructions

The following symbols are used in these operating instructions:

	Comply with the operating instructions
	Instructions for use and other useful information
	Dealing with recyclable materials
	Do not dispose of electric equipment and batteries as household waste
	Hilti Li-ion battery
	Hilti charger

Symbols in illustrations

The following symbols are used in illustrations:

	These numbers refer to the illustrations at the beginning of these operating instructions.
	The numbering reflects the sequence of operations shown in the illustrations and may deviate from the steps described in the text.
	Item reference numbers are used in the overview illustration and refer to the numbers used in the key in the product overview section.
	These characters are intended to specifically draw your attention to certain points when handling the product.

Product-dependent symbols

Symbols on the product

The following symbols can be used on the product:

	The product supports near-field communication (NFC) technology compatible with iOS and Android platforms.
	Hilti Li-ion battery type series used. Observe the information given in the section headed Intended use .



	Li-ion battery
	Never use the battery as a striking tool.
	Do not drop the battery. Never use a battery that has suffered an impact or is damaged in any other way.
	Wear eye protection
	Always work with both hands.
n	Rated speed
/min	Revolutions per minute
RPM	Revolutions per minute
	Diameter
	If applied on the product, the product has been certified by this certification body for the US and Canadian markets according to the applicable standards.

Safety

General power tool safety warnings

⚠ WARNING Read all safety warnings, instructions, illustrations and specifications provided with this power tool. Failure to follow all instructions listed below may result in electric shock, fire and/or serious injury.

Save all warnings and instructions for future reference.

The term "power tool" in the warnings refers to your mains-operated (corded) power tool or battery-operated (cordless) power tool.

Work area safety

- ▶ **Keep work area clean and well lit.** Cluttered or dark areas invite accidents.
- ▶ **Do not operate power tools in explosive atmospheres, such as in the presence of flammable liquids, gases or dust.** Power tools create sparks which may ignite the dust or fumes.
- ▶ **Keep children and bystanders away while operating a power tool.** Distractions can cause you to lose control.

Electrical safety

- ▶ **Power tool plugs must match the outlet. Never modify the plug in any way. Do not use any adapter plugs with earthed (grounded) power tools.** Unmodified plugs and matching outlets will reduce risk of electric shock.
- ▶ **Avoid body contact with earthed or grounded surfaces, such as pipes, radiators, ranges and refrigerators.** There is an increased risk of electric shock if your body is earthed or grounded.
- ▶ **Do not expose power tools to rain or wet conditions.** Water entering a power tool will increase the risk of electric shock.
- ▶ **Do not abuse the cord. Never use the cord for carrying, pulling or unplugging the power tool. Keep cord away from heat, oil, sharp edges or moving parts.** Damaged or entangled cords increase the risk of electric shock.
- ▶ **When operating a power tool outdoors, use an extension cord suitable for outdoor use.** Use of a cord suitable for outdoor use reduces the risk of electric shock.
- ▶ **If operating a power tool in a damp location is unavoidable, use a residual current device (RCD) protected supply.** Use of an RCD reduces the risk of electric shock.

Personal safety

- ▶ **Stay alert, watch what you are doing and use common sense when operating a power tool. Do not use a power tool while you are tired or under the influence of drugs, alcohol or medication.** A moment of inattention while operating power tools may result in serious personal injury.
- ▶ **Use personal protective equipment. Always wear eye protection.** Protective equipment such as a dust mask, non-skid safety shoes, hard hat or hearing protection used for appropriate conditions will reduce personal injuries.
- ▶ **Prevent unintentional starting. Ensure the switch is in the off-position before connecting to power source and/or battery pack, picking up or carrying the tool.** Carrying power tools with your finger on the switch or energising power tools that have the switch on invites accidents.
- ▶ **Remove any adjusting key or wrench before turning the power tool on.** A wrench or a key left attached to a rotating part of the power tool may result in personal injury.
- ▶ **Do not overreach. Keep proper footing and balance at all times.** This enables better control of the power tool in unexpected situations.
- ▶ **Dress properly. Do not wear loose clothing or jewellery. Keep your hair and clothing away from moving parts.** Loose clothes, jewellery or long hair can be caught in moving parts.
- ▶ **If devices are provided for the connection of dust extraction and collection facilities, ensure these are connected and properly used.** Use of dust collection can reduce dust-related hazards.
- ▶ **Do not let familiarity gained from frequent use of tools allow you to become complacent and ignore tool safety principles.** A careless action can cause severe injury within a fraction of a second.



Power tool use and care

- ▶ **Do not force the power tool. Use the correct power tool for your application.** The correct power tool will do the job better and safer at the rate for which it was designed.
- ▶ **Do not use the power tool if the switch does not turn it on and off.** Any power tool that cannot be controlled with the switch is dangerous and must be repaired.
- ▶ **Disconnect the plug from the power source and/or remove the battery pack, if detachable, from the power tool before making any adjustments, changing accessories, or storing power tools.** Such preventive safety measures reduce the risk of starting the power tool accidentally.
- ▶ **Store idle power tools out of the reach of children and do not allow persons unfamiliar with the power tool or these instructions to operate the power tool.** Power tools are dangerous in the hands of untrained users.
- ▶ **Maintain power tools and accessories. Check for misalignment or binding of moving parts, breakage of parts and any other condition that may affect the power tool's operation. If damaged, have the power tool repaired before use.** Many accidents are caused by poorly maintained power tools.
- ▶ **Keep cutting tools sharp and clean.** Properly maintained cutting tools with sharp cutting edges are less likely to bind and are easier to control.
- ▶ **Use the power tool, accessories and tool bits etc. in accordance with these instructions, taking into account the working conditions and the work to be performed.** Use of the power tool for operations different from those intended could result in a hazardous situation.
- ▶ **Keep handles and grasping surfaces dry, clean and free from oil and grease.** Slippery handles and grasping surfaces do not allow for safe handling and control of the tool in unexpected situations.

Battery tool use and care

- ▶ **Recharge only with the charger specified by the manufacturer.** A charger that is suitable for one type of battery pack may create a risk of fire when used with another battery pack.
- ▶ **Use power tools only with specifically designated battery packs.** Use of any other battery packs may create a risk of injury and fire.
- ▶ **When battery pack is not in use, keep it away from other metal objects, like paper clips, coins, keys, nails, screws or other small metal objects, that can make a connection from one terminal to another.** Shorting the battery terminals together may cause burns or a fire.
- ▶ **Under abusive conditions, liquid may be ejected from the battery; avoid contact. If contact accidentally occurs, flush with water. If liquid contacts eyes, additionally seek medical help.** Liquid ejected from the battery may cause irritation or burns.
- ▶ **Do not use a battery pack or tool that is damaged or modified.** Damaged or modified batteries may exhibit unpredictable behaviour resulting in fire, explosion or risk of injury.
- ▶ **Do not expose a battery pack or tool to fire or excessive temperature.** Exposure to fire or temperature above 130° C (265 °F) may cause explosion.
- ▶ **Follow all charging instructions and do not charge the battery pack or tool outside the temperature range specified in the instructions.** Charging improperly or at temperatures outside the specified range may damage the battery and increase the risk of fire.

Service

- ▶ **Have your power tool serviced by a qualified repair person using only identical replacement parts.** This will ensure that the safety of the power tool is maintained.
- ▶ **Never service damaged battery packs.** Service of battery packs should only be performed by the manufacturer or authorized service providers.

Additional safety instructions

Personal safety

- ▶ Use the product and accessories only when they are in perfect working order.
- ▶ Never tamper with or modify the product or accessories in any way.
- ▶ Avoid touching rotating parts – risk of injury!
- ▶ Always hold the tool with both hands on the grips provided. Keep the grips clean and dry.
- ▶ Wait until the product stops completely before you lay it down.
- ▶ Wear protective gloves when changing the accessory tool. Touching the accessory tool can result in cuts and burns.
- ▶ Dust produced by grinding, sanding, cutting and drilling can contain dangerous chemicals. Some examples are: lead or lead-based paints; brick, concrete and other masonry products, natural stone and other products containing silicates; certain types of wood, such as oak, beech and chemically treated wood; asbestos or materials that contain asbestos. Determine the exposure of the operator and bystanders by means of the hazard classification of the materials to be worked. Implement the necessary measures to restrict exposure to a safe level, for example by the use of a dust collection system or by the wearing of suitable respiratory protection. The general measures for reducing exposure include:
 - ▶ working in an area that is well ventilated,
 - ▶ avoidance of prolonged contact with dust,
 - ▶ directing dust away from the face and body,
 - ▶ wearing protective clothing and washing exposed areas of the skin with water and soap.
- ▶ Take frequent breaks and do physical exercises to improve the blood circulation in your fingers. High vibration during long periods of work can lead to disorders of the blood vessels and nervous system in the fingers, hands and wrists.
- ▶ Risk of injury by falling tools and/or accessories. Before starting work, check that the battery and installed accessories are secure.
- ▶ Do not secure a belt hook to this power tool.
- ▶ Keep the air vents clear at all times. Risk of burn injuries due to blocked air vents!



Power tool use and care

- ▶ Do not set the product down with its weight resting on the battery.



Careful handling and use of batteries

- ▶ **Comply with the following safety instructions for the safe handling and use of Li-ion batteries.** Failure to comply can lead to skin irritation, severe corrosive injury, chemical burns, fire and/or explosion.
- ▶ Use only batteries that are in perfect working order.
- ▶ Treat batteries with care in order to avoid damage and prevent leakage of fluids that are extremely harmful to health!
- ▶ Do not under any circumstances modify or tamper with batteries!
- ▶ Do not disassemble, crush or incinerate batteries and do not subject them to temperatures over 80 °C (176 °F).
- ▶ Never use or charge a battery that has suffered an impact or been damaged in any other way. Check your batteries regularly for signs of damage.
- ▶ Never use recycled or repaired batteries.
- ▶ Never use the battery or a battery-operated power tool as a striking tool.
- ▶ Never expose batteries to the direct rays of the sun, elevated temperature, sparking, or open flame. This can lead to explosions.
- ▶ Do not touch the battery poles with your fingers, tools, jewelry, or other electrically conductive objects. This can damage the battery and also cause material damage and personal injury.
- ▶ Keep batteries away from rain, moisture and liquids. Penetrating moisture can cause short circuits, electric shock, burns, fire and explosions.
- ▶ Use only chargers and power tools approved for the specific battery type. Read and follow the relevant operating instructions.
- ▶ Do not use or store the battery in explosive environments.
- ▶ If the battery is too hot to touch, it may be defective. Put the battery in a place where it is clearly visible and where there is no risk of fire, at an adequate distance from flammable materials. Allow the battery to cool down. If it is still too hot to touch after an hour, the battery is faulty. Consult **Hilti Service** or read the document entitled "Instructions on safety and use for **Hilti** Li-ion batteries".

 Observe the special guidelines applicable to the transport, storage and use of lithium-ion batteries.  9
Read the instructions on safety and use of **Hilti** Li-ion batteries that you can access by scanning the QR code at the end of these operating instructions.

Description

Product overview

①	Eccentric screw	⑩	Casing cover
②	Locking screw for swivel arm	⑪	Drive roller
③	Lockable on/off switch	⑫	Securing screws for file arm
④	Adjusting knob for speed	⑬	File arm
⑤	Battery status indicator	⑭	Adjusting screw for file arm
⑥	Battery release button	⑮	Abrasive belt
⑦	Battery	⑯	Contact roller
⑧	Dust filter	⑰	Spindle lock button
⑨	Side handle		

Intended use

The product described is a hand-held, cordless band file. It is designed for grinding and polishing metal surfaces in awkward places, without use of water.

- For this product, use only **Hilti** Nuron lithium-ion batteries of the B 22 series. For optimum performance, **Hilti** recommends the batteries stated in the table at the end of these operating instructions for this product.
- For these batteries, use only **Hilti** chargers of the type series stated in the table at the end of these operating instructions.


Possible misuse

Do not use the product for wet grinding.

Do not use the product to work on hazardous or flammable materials (e.g. asbestos, magnesium, wood).

Items supplied

Band file, side handle, file arm, Torx wrench, operating instructions.

 Other system products approved for use with this product can be found at your local **Hilti Store** or at: www.hilti.group

Temperature-dependent motor protection

The temperature-dependent motor protection system monitors current input and motor temperature and thus prevents the power tool overheating.

If the motor is overloaded through application of excessive working pressure, the product's performance drops noticeably or it might stall completely.

If the product stalls or slows significantly due to overloading, relieve the pressure applied to the product and then allow it to run under no load for approx. 30 seconds.

Status indicators of the Li-ion battery

Hilti Nuron Li-ion batteries can indicate state of charge, fault messages and the battery's state of health.



Indicators for state of charge and fault messages



WARNING

Risk of injury by a falling battery!

► If the release button is pressed with a battery inserted in the product, subsequently check that the battery is correctly re-engaged and secure.

Short-press the release button of the battery to get whichever of the following status indications is applicable at the time.

State of charge and, if applicable, faults are indicated constantly as long as the connected product is switched on.

Status	Meaning
Four (4) LEDs show constantly green	State of charge: 100 % to 71 %
Three (3) LEDs show constantly green	State of charge: 70 % to 51 %
Two (2) LEDs show constantly green	State of charge: 50 % to 26 %
One (1) LED shows constantly green	State of charge: 25 % to 10 %
One (1) LED slow-flashes green	State of charge: < 10 %
One (1) LED quick-flashes green	The Li-ion battery is completely discharged. Recharge the battery. If the LED again starts quick-flashing after the battery has been charged, consult Hilti Service .
One (1) LED quick-flashes yellow	The Li-ion battery or the product in which it is inserted is overloaded, too hot or too cold, or experiencing some other fault. Bring the product and the battery to the recommended working temperature and do not overload the product when it is in use. If the message persists, consult Hilti Service .
One (1) LED shows yellow	The Li-ion battery and the product in which it is inserted are not compatible. Consult Hilti Service .
One (1) LED quick-flashes red	The Li-ion battery is locked and cannot be used. Consult Hilti Service .

Indicators showing the battery's state of health

To check the battery's state of health, press the release button and hold it down for longer than three seconds. The system does not detect a potential malfunction of the battery due to misuse, for example battery dropped or pierced, external heat damage, etc.

Status	Meaning
All LEDs show in sequence, followed by one (1) LED showing constantly green.	The battery can remain in use.
All LEDs show in sequence, followed by one (1) LED quick-flashing yellow.	The check to ascertain the battery's state of health did not complete. Repeat the procedure, or consult Hilti Service .
All LEDs show in sequence, followed by one (1) LED showing constantly red.	If a connected product can still be used, the remaining battery capacity is below 50 %. If a connected product can no longer be used, the battery has reached the end of its useful life and has to be replaced. Consult Hilti Service .

Technical data

Technical data

The band file is delivered with a short or long file arm as standard. The individual accessory tools are also available as optional accessories and are compatible with every as-delivered version of the power tool.

Weight without battery B22	2.3 kg (5.1 lb)
Rated voltage	21.6 V
Belt speed	4.3 m/s ... 9.5 m/s (14.1 ft/s ... 31.2 ft/s)
Belt dimensions (L × W)	18 in × 1/4 ... 1 3/16 in
Belt dimensions (L × W)	21 in × 1/4 ... 1 3/16 in
Ambient temperature for operation	-17 °C ... 60 °C (1 °F ... 140 °F)
Storage temperature	-20 °C ... 70 °C (-4 °F ... 158 °F)

Battery

Battery operating voltage	21.6 V
Weight, battery	See the end of these operating instructions



2332261

Ambient temperature for operation	-17 °C ... 60 °C (1 °F ... 140 °F)
Storage temperature	-20 °C ... 40 °C (-4 °F ... 104 °F)
Battery charging starting temperature	-10 °C ... 45 °C (14 °F ... 113 °F)

Preparations at the workplace

WARNING

Risk of injury by inadvertent starting!

- ▶ Before inserting the battery, make sure that the product is switched off.
- ▶ Remove the battery before making any adjustments to the power tool or before changing accessories.

Observe the safety instructions and warnings in this documentation and on the product.

Charging the battery

1. Before charging the battery, read the operating instructions for the charger.
2. Make sure that the contacts on the battery and the contacts on the charger are clean and dry.
3. Use an approved charger to charge the battery. 4

Inserting the battery

WARNING

Risk of injury by short circuit or falling battery!

- ▶ Before inserting the battery, make sure that the contacts on the battery and the contacts on the product are free of foreign matter.
- ▶ Make sure that the battery always engages correctly.

1. Charge the battery fully before using it for the first time.
2. Push the battery into the product until it engages with an audible click.
3. Check that the battery is seated securely.

Removing the battery

1. Press the battery release button.
2. Remove the battery from the product.

Fitting the side handle

- ▶ Screw the side handle into the threaded socket.

Fitting an abrasive belt

CAUTION

Risk of injury! The abrasive belt can easily tear if the direction of travel is incorrect.

- ▶ Be sure to install the abrasive belt right way round for the direction of travel. The belt's direction of travel must match the direction-of-travel arrow on the gear head.

1. Remove the side handle.
2. Swing the housing cover aside.
3. Turn the eccentric screw until it engages. This relieves the tension on the file arm.
4. Center the abrasive belt on the file arm and the drive roller.
5. Release the eccentric screw to tension the file arm.
6. Swing the housing cover back into position in front of the housing.
7. Fit the side handle. 6

Not every abrasive belt matches every file arm. Select the correct combination from the table below and change the file arm if necessary. 7.

Recommended combination for file arm / belt width

9 mm roller, peaked	4 mm ... 9 mm (0.2 in ... 0.4 in)
9 mm roller, crowned	4 mm ... 13 mm (0.2 in ... 0.5 in)
30 mm roller, small	13 mm ... 30 mm (0.5 in ... 1.2 in)
30 mm roller, large	13 mm ... 30 mm (0.5 in ... 1.2 in)



Removing the abrasive belt

1. Remove the side handle.
2. Swing the housing cover aside.
3. Turn the eccentric screw until it engages. This relieves the tension on the file arm.
4. Remove the abrasive belt.
5. Slacken the eccentric screw to relieve the tension on the spring of the file arm.

Adjusting the belt run

1. Adjust the belt run by turning the adjusting screw on the file arm.
2. Select the setting that keeps the belt running centered on the contact roller.
3. Set the speed.
4. Run the belt at the slowest speed and check your setting.

Changing the file arm

1. Remove the abrasive belt.
2. Slacken the adjusting screw.
3. Remove the securing screws and lift off the file arm.
4. Hold the new file arm in position, install the securing screws and tighten them to the specified torque.

Technical data

Tightening torque, securing screws for file arm

2.7 Nm
(2.0 ftlb_f)

5. Fit the abrasive belt.
6. Adjust the belt run.

Adjusting the swivel arm

1. Slacken the locking screw of the swivel arm.
2. Tilt the swivel to the desired position.
3. Tighten the locking screw.

Fall arrest

WARNING

Risk of injury by falling tool and/or accessory!

- ▶ Use only the Hilti tool tether recommended for your product.
- ▶ Prior to each use, always check the attachment point of the tool tether for possible damage.



Comply with the national regulations for working at heights.

As drop arrester for this product, use only a combination of the Hilti retaining strap #2293133 and the Hilti tool tether #2261970.

- ▶ Secure the retaining strap to the installation openings for accessories. Check that it holds securely.
- ▶ Secure one carabiner of the tool tether to the retaining strap and secure the second carabiner to a load-bearing structure. Check that both carabiners hold securely.



Comply with the operating instructions of the Hilti retaining strap and those of the Hilti tool tether.

Operation

Observe the safety instructions and warnings in this documentation and on the product.

Switching on

1. Press the rear section of the on/off switch.
2. Slide the on/off switch forward.
 - ▶ The motor runs.
3. Lock the on/off switch.

Setting the speed

- ▶ Use the adjusting knob to set the speed.

Belt speed without load

Stage 1	4.3 m/s (14.1 ft/s)
Stage 2	5.2 m/s (17.1 ft/s)
Stage 3	6.1 m/s (20.0 ft/s)



Stage 4	7.0 m/s (23.0 ft/s)
Stage 5	8.0 m/s (26.2 ft/s)
Stage 6	9.5 m/s (31.2 ft/s)

Grinding

CAUTION

Risk of injury! Touching a moving abrasive belt can lead to painful skin abrasion and cut injuries.

- ▶ Do not touch the moving abrasive belt.

Do not exceed the speed rating printed on the abrasive belt.

Secure the workpiece you are going to file.

- Lift the band file clear of the work surface.
- Switch the tool on. 7
 - ▶ The power tool then runs in sustained operating mode.
- Set the speed. 7
- Bring the band file with the abrasive belt into contact with the work surface and keep it moving with a steady back-and-forth action.
- Work with the pulling run of the abrasive belt.
- Apply moderate pressure and do not press the abrasive belt into the material. Excessive contact pressure can cause the abrasive belt to slip off the contact roller.

Switching off

- ▶ Press the rear section of the on/off switch.
 - ▶ The on/off switch jumps into the off position and the motor stops.

Care and maintenance

WARNING

Risk of injury with battery inserted!

- ▶ Always remove the battery before carrying out care and maintenance tasks!

Care of the product

- Carefully remove stubborn dirt.
- Carefully clean the air vents, if present, with a dry, soft brush.
- Use only a slightly damp cloth to clean the housing. Do not use cleaning agents containing silicone as these can attack the plastic parts.
- Use a dry, clean cloth to clean the contacts of the product.

Care of the Li-ion batteries

- Never use a battery with clogged air vents. Clean the air vents carefully using a dry, soft brush.
- Avoid unnecessary exposure of the battery to dust and dirt. Never expose the battery to high levels of moisture (e.g. by being dipped in water or left in the rain).
If a battery has been soaked by moisture, treat it as a damaged battery. Isolate it in a non-flammable container and consult **Hilti Service**.
- Keep the battery free of extraneous oil and grease. Do not permit dust or dirt to accumulate unnecessarily on the battery. Clean the battery with a dry, soft brush or a clean, dry cloth. Do not use cleaning agents containing silicone as these can attack the plastic parts.
Do not touch the contacts of the battery and do not remove the factory-applied grease from the contacts.
- Use only a slightly damp cloth to clean the housing. Do not use cleaning agents containing silicone as these can attack the plastic parts.

Maintenance

- Check all visible parts and controls for signs of damage at regular intervals and make sure that they all function correctly.
- Do not use the product if signs of damage are found or if parts malfunction. Immediately have the product repaired by **Hilti Service**.
- After cleaning and maintenance, install all guards and protective devices and check that they are in full working order.

To help ensure safe and reliable operation, use only genuine Hilti spare parts and consumables. Spare parts, consumables and accessories approved by **Hilti** for use with your product can be found at your **Hilti Store** or online at: www.hilti.group

Changing the drive roller

A worn drive roller can be replaced.

- Remove the abrasive belt. 7
- Remove the securing screws from the drive roller. If necessary, press and hold down the spindle lock button.



3. Pull the drive roller off the spindle.
4. Slip the new drive roller on to the spindle.
5. Insert the securing screws and tighten them to the specified torque. If necessary, press and hold down the spindle lock button.

Technical data	
Tightening torque, securing screws for drive roller	2.4 Nm (1.8 ftlb _f)

Transport and storage of cordless tools and batteries

Transport



Accidental starting during transport !

- ▶ Always transport your products with the batteries removed!
-
- ▶ Remove the battery/batteries.
 - ▶ Never transport batteries loose and unprotected. During transport, batteries should be protected from excessive shock and vibration and isolated from any conductive materials or other batteries that may come in contact with the terminals and cause a short circuit. **Comply with the locally applicable regulations for transporting batteries.**
 - ▶ Do not send batteries through the mail. Consult your shipper for instructions on how to ship undamaged batteries.
 - ▶ Prior to each use and before and after prolonged transport, check the product and the batteries for damage.

Storage



Accidental damage caused by defective or leaking batteries !

- ▶ Always store your products with the batteries removed!
-
- ▶ Store the product and the batteries in a cool and dry place. Comply with the temperature limits stated in the technical data.
 - ▶ Do not store batteries on the charger. Always remove the battery from the charger when the charging operation has completed.
 - ▶ Never leave batteries in direct sunlight, on sources of heat, or behind glass.
 - ▶ Store the product and batteries where they cannot be accessed by children or unauthorized persons.
 - ▶ Prior to each use and before and after prolonged storage, check the product and the batteries for damage.

Troubleshooting

If a problem occurs, always observe the status indicator of the battery. See the section headed **Status indicators of the Li-ion battery**.

If the trouble you are experiencing is not listed in this table or you are unable to rectify the problem by yourself, contact **Hilti Service**.

Trouble or fault	Possible cause	Action to be taken
The battery runs down more quickly than usual.	Very low ambient temperature.	▶ Allow the battery to warm up slowly to room temperature.
The battery doesn't engage with an audible click.	The retaining lug on the battery is dirty.	▶ Clean the retaining lug and re-insert the battery.
The product or battery gets very hot.	Electrical fault	▶ Switch the product off immediately, remove the battery, keep it under observation, allow it to cool down and contact Hilti Service .
Product does not develop full power.	A battery with inadequate capacity was used.	▶ Use a battery with adequate capacity.
The motor has no braking effect.	Battery is discharged.	▶ Change the battery and charge the empty battery.
	Product is momentarily overloaded.	▶ Switch the product off and then on again.
LEDs of the battery show nothing	Battery faulty.	▶ Contact Hilti Service .

Disposal



Risk of injury due to incorrect disposal! Health hazards due to escaping gases or liquids.

- ▶ DO NOT send batteries through the mail!
- ▶ Cover the terminals with a non-conductive material (such as electrical tape) to prevent short circuiting.
- ▶ Dispose of your battery out of the reach of children.
- ▶ Dispose of the battery at your **Hilti Store**, or consult your local governmental garbage disposal or public health and safety resources for disposal instructions.

Most of the materials from which **Hilti** products are manufactured can be recycled. The materials must be correctly separated before they can be recycled. In many countries, your old tools, machines or appliances can be returned to **Hilti** for recycling. Ask **Hilti Service** or your Hilti sales representative for further information.



- ▶ Do not dispose of power tools, electronic equipment or batteries as household waste!



Manufacturer's warranty


► Please contact your local **Hilti** representative if you have questions about the warranty conditions.

Further information

For more information on operation, technology, environment and recycling, follow this link: qr.hilti.com/manual/?id=2332261

This link is also to be found at the end of the documentation, in the form of a QR code.

fr Notice d'utilisation originale**Indications relatives au mode d'emploi****À propos de ce mode d'emploi**

- **Avertissement !** Il convient de lire et comprendre toute la documentation jointe, y compris, sans s'y limiter, les instructions, avertissements de sécurité, illustration et spécifications fournies avec le présent produit. Prenez connaissance de toutes les instructions, avertissements de sécurité, illustrations, spécifications et fonctions du produit avant de l'utiliser. Tout manquement à cette obligation peut entraîner un choc électrique, un incendie, et/ou des blessures graves. Conservez l'ensemble des avertissements et instructions pour consultation ultérieure.
- Les produits **HILTI** sont destinés aux professionnels et ne doivent être utilisés, entretenus et réparés que par un personnel autorisé et formé. Ce personnel doit être spécialement instruit quant aux dangers inhérents à l'utilisation de l'appareil. Le produit et ses accessoires peuvent s'avérer dangereux s'ils sont utilisés de manière incorrecte par un personnel non qualifié ou de manière non conforme à l'usage prévu.
- La documentation ci-jointe correspond à l'état actuel de la technique à la date d'impression. Veuillez toujours consulter la dernière version sur la page du produit sur le site Internet de Hilti. Pour ce faire, suivez le lien ou scannez le code QR dans la documentation, indiqué par le symbole .
- Ne pas prêter ou céder le produit à un autre utilisateur sans lui fournir le présent mode d'emploi.

Explication des symboles**Avertissements**

Les avertissements attirent l'attention sur des dangers liés à l'utilisation du produit. Les termes de signalisation suivants sont utilisés :

**DANGER****DANGER !**

► Pour un danger imminent qui peut entraîner de graves blessures corporelles ou la mort.

**AVERTISSEMENT****AVERTISSEMENT !**







► Pour un danger potentiel qui peut entraîner de graves blessures corporelles ou la mort.

**ATTENTION****ATTENTION !**

► Pour une situation potentiellement dangereuse pouvant entraîner des blessures corporelles ou des dégâts matériels.


Symboles dans le manuel d'utilisation

Les symboles suivants sont utilisés dans le présent manuel d'utilisation :

	Respecter le manuel d'utilisation
	Pour des conseils d'utilisation et autres informations utiles
	Maniement des matériaux recyclables
	Ne pas jeter les appareils électriques et les accus dans les ordures ménagères
	Hilti Accu Li-Ion
	Hilti Chargeur

Symboles dans les illustrations

Les symboles suivants sont utilisés dans les illustrations :

2	Ces chiffres renvoient à l'illustration correspondante au début du présent manuel d'utilisation.
3	La numérotation détermine la séquence des étapes de travail dans l'image et peut se différencier de celles des étapes de travail dans le texte.
11	Les numéros de position sont utilisés dans l'illustration Vue d'ensemble et renvoient aux numéros des légendes dans la section Vue d'ensemble du produit .
	Ce signe doit inviter à manier le produit en faisant particulièrement attention.



Symboles spécifiques au produit

Symboles sur le produit

Les symboles suivants peuvent être utilisés sur le produit :

	Le produit prend en charge la technologie NFC qui est compatible avec les plates-formes iOS et Android.
	Série de type d'accu Li-Ion Hilti utilisée. Observer les instructions au chapitre Utilisation conforme à l'usage prévu .
Li-Ion	Accu lithium-ions
	Ne jamais utiliser l'accu comme outil de percussion.
	Ne pas laisser tomber l'accu. Ne pas utiliser d'accu ayant subi un choc ou d'autres dommages.
	Porter des lunettes de protection
	Toujours travailler avec les deux mains.
n	Vitesse de rotation de référence
/min	Tours par minute
RPM	Tours par minute
	Diamètre
	Si présent sur le produit, c'est que le produit a été certifié conformément aux normes en vigueur par cet organisme de certification pour le marché nord-américain et canadien.

Sécurité

Indications générales de sécurité pour les appareils électriques

⚠ AVERTISSEMENT Lire toutes les consignes de sécurité et instructions, illustrations et caractéristiques techniques, qui accompagnent cet outil électroportatif. Tout manquement à l'observation des instructions suivantes risque de provoquer une électrocution, un incendie et/ou de graves blessures.

Les consignes de sécurité et instructions doivent être intégralement conservées pour les utilisations futures.

La notion d'« outil électroportatif » mentionnée dans les consignes de sécurité se rapporte à des outils électriques raccordés au secteur (avec câble d'alimentation) et à des outils électriques sur accu (sans câble d'alimentation).

Sécurité sur le lieu de travail

- ▶ **Conserver la zone de travail propre et bien éclairée.** Un lieu de travail en désordre ou mal éclairé augmente le risque d'accidents.
- ▶ **Ne pas faire fonctionner les outils électriques en atmosphère explosive et où se trouvent des liquides, des gaz ou poussières inflammables.** Les outils électriques produisent des étincelles qui peuvent enflammer les poussières ou les fumées.
- ▶ **Maintenir les enfants et les personnes présentes à l'écart pendant l'utilisation de l'outil électroportatif.** En cas d'inattention il y a un risque de perdre le contrôle de l'appareil.

Sécurité relative au système électrique

- ▶ **La fiche de secteur de l'outil électroportatif doit être adaptée à la prise de courant. Ne jamais modifier la fiche de quelque façon que ce soit. Ne pas utiliser d'adaptateurs avec des outils électriques à branchement de terre.** Des fiches non modifiées et des prises de courant adaptées réduiront le risque de choc électrique.
- ▶ **Éviter le contact physique avec des surfaces mises à la terre tels que tuyaux, radiateurs, cuisinières et réfrigérateurs.** Il y a un risque élevé de choc électrique au cas où votre corps serait relié à la terre.
- ▶ **Ne pas exposer les outils électroportatifs à la pluie ou à l'humidité.** La pénétration d'eau à l'intérieur d'un outil électroportatif augmentera le risque d'un choc électrique.
- ▶ **Ne jamais utiliser le câble de raccordement à d'autres fins que celles prévues, telles que pour porter, accrocher ou débrancher l'outil électroportatif de la prise de courant. Maintenir le câble de raccordement à l'écart de la chaleur, des parties grasses, des bords tranchants ou des parties en mouvement.** Des câbles de raccordement endommagés ou emmêlés augmentent le risque de choc électrique.
- ▶ **Si l'outil électroportatif est utilisé à l'extérieur, utiliser uniquement des câbles de rallonge homologués pour les applications extérieures.** L'utilisation d'un câble de rallonge homologué pour les applications extérieures réduit le risque d'un choc électrique.
- ▶ **Si l'utilisation de l'outil électrique dans un environnement humide ne peut pas être évitée, utiliser un interrupteur de protection contre les courants de court-circuit.** L'utilisation d'un tel interrupteur de protection réduit le risque d'une décharge électrique.

Sécurité des personnes

- ▶ **Rester vigilant, surveiller ce que l'on fait. Faire preuve de bon sens en utilisant l'outil électroportatif. Ne pas utiliser l'outil électroportatif en étant fatigué ou sous l'emprise de l'alcool, de drogues ou de médicaments.** Un moment d'inattention lors de l'utilisation de l'outil électroportatif peut entraîner des blessures graves.



2332261

- ▶ **Utiliser un équipement de protection personnel et toujours porter une protection pour les yeux.** Les équipements de protection personnels tels que masque antipoussière, chaussures de sécurité antidérapantes, casque de protection ou protection acoustique suivant l'utilisation de l'outil électroportatif, réduiront le risque de blessures des personnes.
- ▶ **Éviter une mise en service par mégarde. S'assurer que l'outil électroportatif est arrêté avant de le brancher à la source de courant et/ou à l'accu, de le prendre ou de le porter.** Le fait de porter l'outil électroportatif avec le doigt sur l'interrupteur ou de brancher l'appareil sur la source de courant lorsque l'interrupteur est en position de fonctionnement peut entraîner des accidents.
- ▶ **Retirer tout outil de réglage ou toute clé avant de mettre l'outil électroportatif en fonctionnement.** Une clé ou un outil se trouvant sur une partie en rotation peut causer des blessures.
- ▶ **Adopter une bonne posture. Veiller à toujours garder une position stable et équilibrée.** Cela permet un meilleur contrôle de l'outil électroportatif dans des situations inattendues.
- ▶ **S'habiller de manière adaptée. Ne pas porter de vêtements amples ni de bijoux. Garder les cheveux, les vêtements et les gants à distance des parties en mouvement.** Des vêtements amples, des bijoux ou des cheveux longs peuvent être happés par des parties en mouvement.
- ▶ **Si des dispositifs servant à aspirer ou à recueillir les poussières doivent être utilisés, s'assurer qu'ils sont effectivement raccordés et correctement utilisés.** L'utilisation d'un dispositif d'aspiration de la poussière peut réduire les risques dus aux poussières.
- ▶ **Ne pas sous-estimer les mesures de sécurité à prendre et ne pas ignorer sciemment les règles de sécurité applicables aux outils électriques, même si l'on est utilisateur chevronné après de fréquentes utilisations de l'outil électroportatif.** Un manque d'attention peut conduire à de graves blessures en quelques fractions de seconde.

Utilisation et maniement de l'outil électroportatif

- ▶ **Ne pas forcer l'appareil. Utiliser l'outil électroportatif adapté au travail à effectuer.** Un outil électroportatif approprié réalisera mieux le travail et de manière plus sûre au régime pour lequel il a été conçu.
- ▶ **Ne pas utiliser d'outil électroportatif dont l'interrupteur est défectueux.** Tout outil électroportatif qui ne peut plus être mis en ou hors fonctionnement est dangereux et doit être réparé.
- ▶ **Débrancher la fiche de la prise de courant et/ou l'accu amovible avant d'effectuer des réglages sur l'appareil, de changer les accessoires, ou de ranger l'appareil.** Cette mesure de précaution empêche une mise en fonctionnement par mégarde de l'outil électroportatif.
- ▶ **Conserver les outils électroportatifs non utilisés hors de portée des enfants. Ne permettre l'utilisation de l'appareil à aucune personne qui ne soit pas familiarisée avec celui-ci ou qui n'a pas lu ces instructions.** Les outils électroportatifs sont dangereux lorsqu'ils sont entre les mains de personnes non initiées.
- ▶ **Prendre soin des outils électroportatifs et des accessoires. Vérifier que les parties en mouvement fonctionnent correctement et qu'elles ne sont pas coincées, et contrôler si des parties sont cassées ou endommagées de sorte que le bon fonctionnement de l'outil électroportatif s'en trouve entravé. Faire réparer les parties endommagées avant d'utiliser l'appareil.** De nombreux accidents sont dus à des outils électroportatifs mal entretenus.
- ▶ **Garder les outils de coupe affûtés et propres.** Des outils destinés à couper correctement entretenus avec des arêtes de coupe tranchantes sont moins susceptibles de bloquer et sont plus faciles à contrôler.
- ▶ **L'outil électroportatif, les accessoires, les outils amovibles, etc. doivent être utilisés conformément à ces instructions. Tenir également compte des conditions de travail et du travail à réaliser.** L'utilisation des outils électroportatifs à d'autres fins que celles prévues peut entraîner des situations dangereuses.
- ▶ **Veiller à ce que les poignées et surfaces de préhension soient toujours être sèches, propres et exemptes de traces de graisse ou d'huile.** Avec des poignées et surfaces de préhension glissantes, la sécurité et le contrôle de l'outil électroportatif ne peuvent être assurés dans des situations inopinées.

Utilisation et maniement de l'outil sur accu

- ▶ **Ne charger les accus que dans des chargeurs recommandés par le fabricant.** Si un chargeur approprié à un type spécifique d'accus est utilisé avec des accus non recommandés pour celui-ci, il y a risque d'incendie.
- ▶ **Dans les outils électroportatifs, utiliser uniquement les accus spécialement prévus pour ceux-ci.** L'utilisation de tout autre accu peut entraîner des blessures et des risques d'incendie.
- ▶ **Tenir l'accu non utilisé à l'écart de tous objets métalliques tels qu'agrafes, pièces de monnaie, clés, clous, vis ou autres, étant donné qu'un pontage peut provoquer un court-circuit.** Un court-circuit entre les contacts d'accu peut provoquer des brûlures ou un incendie.
- ▶ **En cas d'utilisation abusive, du liquide peut sortir de l'accu. Éviter tout contact avec ce liquide. En cas de contact par mégarde, rincer soigneusement avec de l'eau. Au cas où le liquide rentrerait dans les yeux, consulter en plus un médecin.** Le liquide qui sort de l'accu peut entraîner des irritations de la peau ou causer des brûlures.
- ▶ **Ne pas utiliser d'accu endommagé ou modifié.** Des accus endommagés ou modifiés peuvent avoir un comportement imprévisible et provoquer un incendie, une explosion ou engendrer un risque de blessures.
- ▶ **Ne jamais exposer l'accu au feu ou à des températures trop élevées.** Le feu ou des températures supérieures à 130 °C (265 °F) peuvent provoquer une explosion.
- ▶ **Suivre toutes les instructions de charge et ne jamais charger l'accu ou l'outil sur accu hors de la plage de températures spécifiée dans le manuel d'utilisation.** Une charge inappropriée ou hors de la plage de températures spécifiée risque d'endommager l'accu et accroître le risque d'incendie.

Service

- ▶ **L'outil électroportatif doit uniquement être réparé par un personnel qualifié et seulement avec des pièces de rechange d'origine.** Ceci permet d'assurer la sécurité de l'appareil.
- ▶ **Ne jamais entretenir d'accu endommagés.** Toutes les opérations d'entretien sur des accus doivent exclusivement être réalisées par le fabricant ou un prestataire de service client agréé.

Consignes de sécurité supplémentaires

Sécurité des personnes

- ▶ Utiliser le produit et les accessoires uniquement s'ils sont en parfait état.
- ▶ Ne jamais entreprendre de manipulation ni de modification sur le produit ou les accessoires.



- ▶ Éviter de toucher des pièces en rotation – Risque de blessures !
- ▶ Toujours tenir le produit des deux mains par les poignées prévues à cet effet. Tenir les poignées toujours sèches et propres.
- ▶ Attendre jusqu'à ce que le produit soit complètement arrêté avant de le déposer.
- ▶ Porter des gants de protection pour changer d'outil. Risque de blessures par coupure et de brûlures au contact avec l'outil amovible.
- ▶ La poussière générée par le meulage, le ponçage, le tronçonnage et le forage peut contenir des produits chimiques dangereux. Par exemple : plomb ou peinture à base de plomb ; brique, béton et autres produits de maçonnerie, pierre naturelle et autres produits contenant des silicates ; certains bois, tels que le chêne, le hêtre et le bois traité chimiquement ; amiante ou matériaux contenant de l'amiante. Déterminer l'exposition de l'opérateur et personnes se trouvant dans l'entourage en fonction de la classe de danger des matériaux traités. Prendre les mesures nécessaires pour maintenir l'exposition à un niveau sûr, par exemple en utilisant un système de collecte des poussières ou en portant une protection respiratoire appropriée. Mesures générales visant à réduire l'exposition :
 - ▶ Travailler dans un endroit bien ventilé
 - ▶ Éviter le contact prolongé avec la poussière
 - ▶ Faire en sorte que la poussière soit dirigée loin du visage et du corps
 - ▶ Porter des vêtements de protection et laver les zones exposées à l'eau et au savon
- ▶ Faire régulièrement des pauses et des exercices pour favoriser l'irrigation sanguine dans les doigts. En cas de travaux prolongés, les fortes vibrations peuvent perturber la circulation dans les vaisseaux sanguins ou le système nerveux dans les doigts, les mains ou le poignet.
- ▶ Risque de blessures dues à la chute d'outils et/ou d'accessoires. Avant de commencer à travailler, contrôler si l'accu et l'accessoire monté sont solidement fixés.
- ▶ Ne pas monter de mousqueton de ceinture sur cet outil.
- ▶ Gardez toujours les ouïes d'aération dégagées. Risque de brûlures si les ouïes d'aération sont couvertes !

Utilisation et emploi soigneux de l'outil électroportatif

- ▶ Ne pas déposer le produit sur la batterie.

Utilisation et emploi soigneux des batteries

- ▶ **Respecter les consignes de sécurité suivantes relatives à la manipulation et à l'utilisation des accus Li-Ion.** Le non-respect de telles mesures risque de provoquer des irritations cutanées, des blessures graves corrosives, des brûlures chimiques, des incendies et/ou des explosions.
- ▶ Utiliser les accus uniquement dans un état techniquement impeccable.
- ▶ Traiter les accus avec soin pour éviter les endommagement et les fuites de liquides très nocifs pour la santé !
- ▶ Les accus ne doivent en aucun cas être modifiés ou manipulés !
- ▶ Il est interdit de démonter, écraser, chauffer les accus à une température supérieure à 80 °C (176 °F) ou de les jeter au feu.
- ▶ Ne pas utiliser ni recharger d'accus ayant subi un choc ou ayant été endommagés de quel-qu'autre manière. Vérifier régulièrement l'absence de traces d'endommagement sur les accus.
- ▶ Ne jamais utiliser d'accus recyclés ou réparés.
- ▶ Ne jamais utiliser l'accu ni aucun outil électrique sans fil comme outil de percussion.
- ▶ Ne jamais exposer les accus à un rayonnement direct du soleil, des températures élevées, des étincelles ou des flammes nues. Il y a alors risque d'explosions.
- ▶ Ne jamais toucher les pôles avec les doigts, des outils, des bijoux ou tout autre objet métallique. Cela peut endommager l'accu et entraîner des dommages matériels et des blessures.
- ▶ Maintenir les accus à l'abri de la pluie, de l'humidité et des liquides. Toute pénétration d'humidité risque de provoquer un court-circuit, des chocs électriques, des brûlures, des incendies ou des explosions.
- ▶ Utiliser exclusivement les chargeurs et outils électriques prévus pour le type d'accu considéré. Respecter à ce sujet les indications du mode d'emploi correspondant.
- ▶ Ne pas utiliser ni stocker l'accu dans des environnements présentant des risques d'explosion.
- ▶ Si l'accu est trop chaud pour être touché, il est probablement défectueux. Placer l'accu dans un endroit bien visible, non inflammable et suffisamment éloigné de matériaux inflammables. Laisser l'accu refroidir. Si, après une heure, l'accu est toujours trop chaud pour être saisi, c'est qu'il est défectueux. Contacter le service après-vente **Hilti** ou consulter le document « Instructions de sécurité et d'utilisation pour les accus Li-Ion **Hilti** ».



Respecter les directives spécifiques pour le transport, le stockage et l'utilisation d'accus Li-Ion. 18

Lire les remarques relatives à la sécurité et à l'utilisation des accus Li-Ion **Hilti** que vous trouverez en scannant le code QR à la fin de ce mode d'emploi.

Description

Vue d'ensemble du produit

- | | | | |
|---|--|---|---------------------------------|
| ① | Vis à excentrique | ⑩ | Capot du carter |
| ② | Vis de blocage du bras orientable | ⑪ | Galet d'entraînement |
| ③ | Interrupteur Marche/Arrêt verrouillable | ⑫ | Vis de fixation du bras ponceur |
| ④ | Molette de réglage de la vitesse de rotation | ⑬ | Bras ponceur |
| ⑤ | Indicateur d'état – Accu | ⑭ | Vis de réglage du bras ponceur |
| ⑥ | Bouton de déverrouillage de l'accu | ⑮ | Bande abrasive |
| ⑦ | Accu | ⑯ | Galet d'appui |
| ⑧ | Filtre à poussières | ⑰ | Bouton de blocage de la broche |
| ⑨ | Poignée latérale | | |



2332261

Utilisation conforme à l'usage prévu

Le produit décrit est une lime à bande sans fil à guidage manuel. Elle est conçue pour poncer et polir des surfaces métalliques à des emplacements difficiles d'accès sans utilisation d'eau.

- Pour ce produit, utiliser exclusivement des accus Li-Ion Hilti Nuron de la série B 22. Pour une puissance optimale, Hilti recommande pour ce produit les accus indiqués dans le tableau à la fin de ce mode d'emploi.
- Pour ces accus, utiliser exclusivement des chargeurs Hilti des séries indiquées dans le tableau à la fin de ce mode d'emploi.


Mauvaise utilisation possible

Le produit ne doit pas être utilisé pour le ponçage à l'eau.

Le produit ne doit pas être utilisé pour travailler sur des matériaux susceptibles de nuire à la santé ou facilement inflammables (par ex. amiante, magnésium, bois).

Éléments livrés

Lime à bande, poignée latérale, bras de ponçage, clé Torx, mode d'emploi.

 D'autres produits système pour votre produit peuvent être trouvés dans votre **Hilti Store** ou à l'adresse : www.hilti.group

Système de protection thermique du moteur

Ce système de protection thermique du moteur supervise l'intensité du courant absorbé ainsi que le réchauffement du moteur, écartant ainsi tout risque de surchauffe du produit.

Si le moteur vient à être en surcharge du fait d'une pression exercée trop importante, la puissance du produit est considérablement réduite ou le produit peut s'arrêter.

En cas d'arrêt ou de diminution de la vitesse de rotation à cause d'une surcharge, dégager le produit et le laisser tourner à vide pendant 30 secondes environ.

Affichages de l'accu Li-Ion

Les accus Li-Ion Hilti Nuron peuvent afficher l'état de charge, les messages d'erreur et l'état de l'accu.

Affichages de l'état de charge et des messages d'erreur



AVERTISSEMENT

Risque de blessures en cas de chute de l'accu !

- ▶ Lorsque l'accu est inséré et après avoir appuyé sur la touche de déverrouillage, s'assurer que l'accu est correctement réenclenché dans le produit utilisé.

Pour consulter un des affichages suivants, appuyer brièvement sur la touche de déverrouillage de l'accu.

L'état de charge et les dysfonctionnements possibles sont affichés en permanence tant que le produit raccordé est allumé.

État	Signification
Quatre (4) DEL sont allumées en vert en continu	État de charge : de 100 % à 71 %
Trois (3) DEL sont allumées en vert en continu	État de charge : de 70 % à 51 %
Deux (2) DEL sont allumées en vert en continu	État de charge : de 50 % à 26 %
Une (1) DEL est allumée en vert en continu	État de charge : de 25 % à 10 %
Une (1) DEL clignote lentement en vert	État de charge : < 10 %
Une (1) DEL clignote rapidement en vert	L'accu Li-Ion est entièrement déchargé. Charger l'accu. Si la DEL continue de clignoter rapidement après la charge de l'accu, s'adresser au S.A.V. Hilti .
Une (1) DEL clignote rapidement en jaune	L'accu Li-Ion ou le produit correspondant est surchargé, trop chaud, trop froid ou il y a un autre défaut. Amener le produit et l'accu à la température de travail recommandée et ne pas surcharger le produit pendant son utilisation. Si le message ne disparaît pas, s'adresser au S.A.V. Hilti .
Une (1) DEL est allumée en jaune	L'accu Li-Ion ainsi que le produit connecté ne sont pas compatibles. Merci de s'adresser au S.A.V. Hilti .
Une (1) DEL clignote rapidement en rouge	L'accu Li-Ion est verrouillé et ne peut plus être utilisé. Merci de s'adresser au S.A.V. Hilti .

Affichages de l'état de l'accu

Pour consulter l'état de l'accu, maintenir la touche de déverrouillage enfoncée pendant plus de trois secondes. Le système ne détecte aucun dysfonctionnement potentiel de la batterie dû à une utilisation incorrecte, par ex. chute, piqûres, dommages externes dus à la chaleur, etc.

État	Signification
Toutes les DEL forment un chenillard, puis une (1) DEL est allumée en vert en continu.	L'accu peut continuer à être utilisé.
Toutes les DEL forment un chenillard, puis une (1) DEL clignote rapidement en jaune.	L'interrogation de l'état de l'accu n'a pas pu être terminée. Répéter la procédure ou s'adresser au S.A.V. Hilti .



État	Signification
Toutes les DEL forment un chenillard, puis une (1) DEL est allumée en rouge en continu.	Si un produit raccordé peut continuer à être utilisé, la capacité résiduelle de l'accu est inférieure à 50 %. Si un produit raccordé ne peut plus être utilisé, l'accu est arrivé à la fin de sa durée de vie et doit être remplacé. Merci de s'adresser au S.A.V Hilti.

Caractéristiques techniques

Caractéristiques techniques

La lime à bande est fournie de série avec un bras ponceur court ou long. Les différents outils sont également disponibles en tant qu'accessoires optionnels et sont compatibles avec chacune des variantes livrées.

Poids sans accu B22	2,3 kg (5,1 lb)
Tension de référence	21,6 V
Vitesse de la bande	4,3 m/s ... 9,5 m/s (14,1 ft/s ... 31,2 ft/s)
Dimensions de la bande (L × l)	18 in × 1/4 ... 1 3/16 in
Dimensions de la bande (L × l)	21 in × 1/4 ... 1 3/16 in
Température de service en cours de service	-17 °C ... 60 °C (1 °F ... 140 °F)
Température de stockage	-20 °C ... 70 °C (-4 °F ... 158 °F)

Batterie

Tension nominale de l'accu	21,6 V
Poids de l'accu	Voir à la fin de ce mode d'emploi
Température de service en cours de service	-17 °C ... 60 °C (1 °F ... 140 °F)
Température de stockage	-20 °C ... 40 °C (-4 °F ... 104 °F)
Température de l'accu au début de la charge	-10 °C ... 45 °C (14 °F ... 113 °F)

Préparatifs

AVERTISSEMENT

Risque de blessures du fait d'une mise en marche inopinée !

- ▶ Avant d'insérer l'accu, s'assurer que le produit correspondant est bien sur arrêt.
- ▶ Retirer le bloc-accu, avant d'effectuer des réglages sur l'appareil ou de changer les accessoires.

Bien respecter les consignes de sécurité et les avertissements de la présente documentation ainsi que celles figurant sur le produit.

Recharge de l'accu

1. Avant de commencer la charge, lire le mode d'emploi du chargeur.
2. Veiller à ce que les contacts de l'accu et du chargeur sont propres et secs.
3. Charger l'accu à l'aide d'un chargeur homologué. 14

Introduction de l'accu

AVERTISSEMENT

Risque de blessures du fait d'un court-circuit ou de la chute de l'accu !

- ▶ Avant d'insérer l'accu dans l'appareil, s'assurer que les contacts de l'accu et les contacts sur le produit sont exempts de corps étrangers.
- ▶ S'assurer que l'accu s'encliquette toujours correctement.

1. L'accu doit être entièrement chargé avant la première mise en service.
2. Introduire l'accu dans le produit jusqu'à ce qu'il s'enclenche de manière audible.
3. Vérifier que l'accu est bien en place.

Retrait de l'accu

1. Appuyer sur la touche de déverrouillage de l'accu.
2. Retirer l'accu hors du produit.

Montage de la poignée latérale

- ▶ Revisser la poignée latérale dans la douille fileté.



Mise en place de la bande abrasive 3

ATTENTION

Risque de blessures ! En cas de sens défilement incorrect, la bande peut se déchirer.

- Respecter le sens de défilement prescrit de la bande abrasive. Le sens de défilement doit coïncider avec la flèche du sens de défilement sur la tête de réduction.

- Démonter la poignée latérale.
- Basculer le capot du boîtier sur le côté.
- Tourner la vis à excentrique jusqu'à ce qu'elle s'emboîte pour détendre le bras ponceur.
- Enfiler la bande abrasive en la centrant sur le bras ponceur et le galet d'entraînement.
- Desserrer la vis à excentrique pour tendre le bras ponceur.
- Rebasculer le capot de l'appareil devant le boîtier.
- Monter la poignée latérale. 15

Le bras ponceur n'est pas compatible avec toutes les bandes abrasives. Choisir la combinaison appropriée en consultant le tableau suivant et remplacer éventuellement le bras ponceur 16.

Combinaison recommandée pour bras ponceur/largeur de bande

Galet de 9 mm, pointu	4 mm ... 9 mm (0,2 in ... 0,4 in)
Galet de 9 mm, bombé	4 mm ... 13 mm (0,2 in ... 0,5 in)
Galet de 30 mm, petit	13 mm ... 30 mm (0,5 in ... 1,2 in)
Galet de 30 mm, grand	13 mm ... 30 mm (0,5 in ... 1,2 in)

Retrait de la bande abrasive 3

- Démonter la poignée latérale.
- Basculer le capot du boîtier sur le côté.
- Tourner la vis à excentrique jusqu'à ce qu'elle s'emboîte pour détendre le bras ponceur.
- Retirer la bande abrasive.
- Desserrer la vis à excentrique pour relâcher le ressort du bras ponceur.

Réglage du défilement de la bande 4

- Régler le défilement de la bande via la vis de réglage sur le bras ponceur.
- Choisir le réglage de sorte que la bande défile au centre du galet d'appui.
- Régler la vitesse de rotation. 17
- Faire tourner la bande à la vitesse la plus faible et contrôler le réglage.

Remplacement du bras ponceur 5

- Retirer la bande abrasive. 16
- Desserrer la vis de réglage.
- Démonter les vis de fixation et retirer le bras ponceur.
- Mettre le nouveau bras ponceur en place et remonter les vis de fixation en appliquant le couple de serrage prescrit.

Caractéristiques techniques

Couple de serrage des vis de fixation du bras ponceur	2,7 Nm (2,0 ftlb _f)
---	------------------------------------

- Mettre la bande abrasive en place. 16
- Régler le défilement de la bande. 16

Réglage du bras pivotant 5

- Desserrer la vis de blocage du bras orientable.
- Incliner le bras orientable dans la position souhaitée.
- Resserrer la vis de blocage.

Sécurité anti-chute

AVERTISSEMENT

Risque de blessures en cas de chute de l'outil et/ou des accessoires !

- Utiliser uniquement la longue porte-outil Hilti recommandée pour votre produit.
- Contrôler l'état du point de fixation de la longue porte-outil avant chaque utilisation.



Respecter les directives nationales en vigueur pour les travaux en hauteur.

En tant que protection anti-chute pour ce produit, utiliser exclusivement une combinaison de la sécurité anti-chute **Hilti** #2293133 avec la longue porte-outil **Hilti** #2261970.

- ▶ Fixer la sécurité anti-chute dans les ouvertures de montage pour accessoires. Vérifier qu'elle tient bien.
- ▶ Fixer un mousqueton de la longue porte-outil dans la sécurité anti-chute et le second mousqueton sur une structure porteuse. Vérifier qu'elle tient bien.

Respecter les modes d'emploi de la sécurité anti-chute **Hilti** et de la longue porte-outil **Hilti**.

Utilisation

Bien respecter les consignes de sécurité et les avertissements de la présente documentation ainsi que celles figurant sur le produit.

Mise en marche

1. Appuyer sur la partie arrière de l'interrupteur Marche/Arrêt.
2. Pousser l'interrupteur Marche/Arrêt vers l'avant.
 - ▶ Le moteur tourne.
3. Bloquer l'interrupteur Marche/Arrêt.

Réglage de la vitesse de rotation

- ▶ Régler la vitesse de rotation via la molette de réglage.

Vitesse de défilement de la bande sans charge

Niveau 1	4,3 m/s (14,1 ft/s)
Niveau 2	5,2 m/s (17,1 ft/s)
Niveau 3	6,1 m/s (20,0 ft/s)
Niveau 4	7,0 m/s (23,0 ft/s)
Niveau 5	8,0 m/s (26,2 ft/s)
Niveau 6	9,5 m/s (31,2 ft/s)

Ponçage

ATTENTION

Risque de blessures ! Le fait de toucher la bande abrasive en cours de marche peut entraîner des blessures par écorchures et coupures.

- ▶ Ne pas saisir la bande abrasive en cours de marche.

Ne pas dépasser la vitesse de rotation indiquée sur la bande abrasive.

Serrer la pièce à usiner.

1. Dégager la lime à bande de la surface de travail.
2. Mettre le produit en marche. 17
 - ▶ Le produit fonctionne en continu.
3. Régler la vitesse de rotation. 17
4. Placer la lime à bande avec la bande abrasive sur la pièce à usiner et la déplacer d'avant en arrière.
5. Travailler du côté de traction de la bande abrasive.
6. Travailler en exerçant une pression modérée et ne pas enfoncer la bande abrasive dans le matériau. En cas de force d'appui trop importante, la bande abrasive peut déraiper du galet d'appui.

Arrêt

- ▶ Appuyer sur la partie arrière de l'interrupteur Marche/Arrêt.
 - ▶ L'interrupteur Marche/Arrêt se met sur la position Arrêt et le moteur s'arrête.

Nettoyage et entretien

AVERTISSEMENT

Risque de blessures lorsque l'accu est inséré !

- ▶ Toujours retirer l'accu avant tous travaux de nettoyage et d'entretien !



Entretien du produit

- Éliminer avec précaution les saletés récalcitrantes.
- Le cas échéant, nettoyer soigneusement les ouïes d'aération à l'aide d'une brosse sèche et douce.
- Nettoyer le carter de l'appareil uniquement avec un chiffon légèrement humide. Ne pas utiliser de nettoyeurs à base de silicone car ceci pourrait attaquer les pièces en plastique.
- Utiliser un chiffon propre et sec pour nettoyer les contacts du produit.

Entretien des accus Li-ion

- Ne jamais utiliser un accu dont les ouïes d'aération sont bouchées. Nettoyer soigneusement les ouïes d'aération à l'aide d'une brosse sèche et douce.
- Éviter d'exposer inutilement l'accu à la poussière ou à la saleté. Ne jamais exposer l'accu à une forte humidité (par exemple en l'immergeant dans de l'eau ou en le laissant sous la pluie).
Si l'accu a été trempé, le traiter comme un accu endommagé. L'isoler dans un récipient ininflammable et s'adresser au S.A.V. Hilti.
- Veiller à ce que l'accu soit toujours exempt de traces de graisse et d'huile étrangères. Ne pas laisser de la poussière ou de la saleté s'accumuler inutilement sur l'accu. Nettoyer l'accu avec une brosse sèche et douce ou un chiffon propre et sec. Ne pas utiliser de nettoyeurs à base de silicone car ceci pourrait attaquer les pièces en plastique.
Ne pas toucher les contacts de l'accu et ne pas enlever la graisse appliquée en usine sur les contacts.
- Nettoyer le carter de l'appareil uniquement avec un chiffon légèrement humide. Ne pas utiliser de nettoyeurs à base de silicone car ceci pourrait attaquer les pièces en plastique.

Entretien

- Vérifier régulièrement qu'aucune pièce visible n'est endommagée et que les organes de commande sont parfaitement opérationnels.
- Ne pas utiliser le produit en cas d'endommagements et/ou de dysfonctionnements. Faire immédiatement réparer le produit par le S.A.V. Hilti.
- Après des travaux de nettoyage et d'entretien, vérifier si tous les équipements de protection sont bien en place et fonctionnent parfaitement.



Pour une utilisation en toute sécurité, utiliser uniquement des pièces de rechange et consommables d'origine. Vous trouverez les pièces de rechange, consommables et accessoires autorisés par Hilti convenant pour votre produit dans le centre **Hilti Store** ou sous : www.hilti.group

Remplacement du galet d'entraînement



Le galet d'entraînement peut être remplacé en cas d'usure.

1. Retirer la bande abrasive. 16
2. Démontez la vis de fixation du galet d'entraînement. Le cas échéant, tout en maintenant le bouton d'arrêt de la broche enfoncé.
3. Détacher le galet d'entraînement de la broche.
4. Placer le nouveau galet d'entraînement sur la broche.
5. Monter les vis de fixation en appliquant le couple de serrage prescrit. Le cas échéant, tout en maintenant le bouton d'arrêt de la broche enfoncé.

Caractéristiques techniques

Couple de serrage des vis de fixation du galet d'entraînement

2,4 Nm
(1,8 ftlb_f)

Transport et stockage des outils sur accu et des accus

Transport



ATTENTION

Mise en marche inopinée lors du transport !

- ▶ Toujours retirer les accus avant de transporter les produits !
- ▶ Retirer le ou les accus.
- ▶ Ne jamais transporter les accus en vrac. Pendant le transport, les accus doivent être protégés des vibrations et chocs excessifs, isolés de tout matériau conducteur ou autre accu, pour éviter qu'ils n'entrent en contact avec d'autres pôles de batterie et qu'ils provoquent un court-circuit. **Tenir compte des prescriptions locales pour le transport d'accus.**
- ▶ Ne pas envoyer les accus par la poste. S'adresser à un service d'expédition s'il faut envoyer des accus non endommagés.
- ▶ Contrôler l'état du produit et des accus avant chaque utilisation, ainsi qu'avant et après tout transport prolongé.

Stockage



AVERTISSEMENT

Endommagement involontaire du fait d'accus défectueux ou de chute d'accu !

- ▶ Toujours retirer les accus avant de stocker les produits !
- ▶ Stocker si possible le produit et les accus dans un endroit sec et frais. Respecter les valeurs limites de température indiquées dans les caractéristiques techniques.
- ▶ Ne pas stocker les accus sur le chargeur. Retirer toujours l'accu du chargeur après la charge.
- ▶ Ne jamais stocker les accus exposés au soleil, sur des sources de chaleur ou derrière des vitres.
- ▶ Stocker le produit et les accus à l'abri des enfants et des personnes non autorisées.
- ▶ Contrôler l'état du produit et des accus avant chaque utilisation, ainsi qu'avant et après tout stockage prolongé.



Aide au dépannage

En cas de dysfonctionnements, tenir compte de l'indicateur d'état de l'accu. Voir le chapitre **Affichages de l'accu Li-Ion**.

En cas de défaillances non énumérées dans ce tableau ou auxquelles il n'est pas possible de remédier sans aide, contacter le S.A.V. **Hilti**.

Défaillance	Causes possibles	Solution
L'accu se décharge plus rapidement que d'habitude.	Température ambiante très basse.	► Laisser l'accu se réchauffer lentement à la température ambiante.
L'accu ne s'encliquette pas avec un « clic » audible.	L'ergot d'encliquetage sur l'accu est encrassé.	► Nettoyer l'ergot d'encliquetage et réinsérer l'accu.
Important dégagement de chaleur dans le produit ou dans l'accu.	Défaut électrique.	► Arrêter immédiatement le produit, sortir l'accu et l'examiner, le laisser refroidir et contacter le S.A.V. Hilti .
Le produit n'atteint pas la pleine puissance.	Accu avec capacité insuffisante mis en place.	► Utiliser un accu d'une capacité suffisante.
Aucune fonction de freinage du moteur.	L'accu est déchargé.	► Remplacer l'accu et charger l'accu vide.
	Le produit est momentanément en surcharge.	► Arrêter puis remettre en marche le produit.
Les DEL de l'accu n'indiquent rien	L'accu est défectueux.	► S'adresser au S.A.V. Hilti .

Recyclage

AVERTISSEMENT

Risque de blessures en cas d'élimination incorrecte ! Émanations possibles de gaz et de liquides nocives pour la santé.

- Ne pas envoyer ni expédier d'accus endommagés !
- Recouvrir les raccordements avec un matériau non conducteur pour éviter tout court-circuit.
- Éliminer les accus en veillant à ce qu'ils soient hors de la portée des enfants.
- Éliminer l'accu en le déposant auprès du **Hilti Store** local ou s'adresser à l'entreprise de collecte des déchets compétente.

Les produits **Hilti** sont fabriqués pour une grande partie en matériaux recyclables. Le recyclage présuppose un tri adéquat des matériaux. **Hilti** reprend les appareils usagés dans de nombreux pays en vue de leur recyclage. Consulter le service clients **Hilti** ou un conseiller commercial.



- Ne pas jeter les appareils électriques, électroniques et accus dans les ordures ménagères !

Garantie constructeur

- En cas de questions sur les conditions de garantie, veuillez vous adresser à votre partenaire **Hilti** local.

Informations complémentaires

Des informations complémentaires concernant l'utilisation, la technique, l'environnement et le recyclage sont disponibles sous le lien ci-dessous : qr.hilti.com/manual/?id=2332261

Ce lien figure également à la fin de la documentation sous forme de code QR.

es Manual de instrucciones original

Información sobre el manual de instrucciones

Acerca de este manual de instrucciones

- **¡Atención!** Asegúrese de haber leído y entendido toda la documentación adjunta, incluidas, entre otras, las instrucciones, advertencias de seguridad, ilustraciones y especificaciones que se proporcionan con este producto. Familiarícese con todas las instrucciones, advertencias de seguridad, ilustraciones, especificaciones, componentes y funciones del producto antes de utilizarlo. De lo contrario, existe peligro de descarga eléctrica, incendio y/o lesiones graves. Conserve todas las advertencias e instrucciones para futuras consultas.
- Los productos **HILTI** han sido diseñados para usuarios profesionales y solo personal autorizado y debidamente formado puede utilizarlos y llevar a cabo su mantenimiento y conservación. Este personal debe estar especialmente instruido en lo referente a los riesgos de uso. La utilización del producto y sus dispositivos auxiliares puede conllevar riesgos para el usuario en caso de manejarse de forma inadecuada por personal no cualificado o utilizarse para usos diferentes a los que están destinados.
- La documentación adjunta corresponde al estado actual de la técnica en el momento de la impresión. Compruebe siempre la última versión en la página del producto de la página web de Hilti. Para ello siga el enlace o escanee el código QR que figura en esta documentación y que se indica con el símbolo .
- No entregue nunca el producto a otras personas sin este manual de instrucciones.

Explicación de símbolos

Avisos

Las advertencias de seguridad advierten de peligros derivados del manejo del producto. Se utilizan las siguientes palabras de peligro:

PELIGRO

PELIGRO !

- Término utilizado para un peligro inminente que puede ocasionar lesiones graves o incluso la muerte.

ADVERTENCIA

ADVERTENCIA !

- Término utilizado para un posible peligro que puede ocasionar lesiones graves o incluso la muerte.



2332261

PRECAUCIÓN

PRECAUCIÓN !

► Término utilizado para una posible situación peligrosa que puede ocasionar lesiones o daños materiales.

Símbolos en el manual de instrucciones

En este manual de instrucciones se utilizan los siguientes símbolos:

	Consulte el manual de instrucciones
	Indicaciones de uso y demás información de interés
	Manejo con materiales reutilizables
	No tire las herramientas eléctricas y las baterías junto con los desperdicios domésticos
	Hilti Batería de Ion-Litio
	Hilti Cargador

Símbolos en las figuras

En las figuras se utilizan los siguientes símbolos:

	Estos números hacen referencia a la figura correspondiente incluida al principio de este manual de instrucciones.
	La numeración describe el orden de los pasos de trabajo en la imagen y puede ser diferente de los pasos descritos en el texto.
	En la figura Vista general se utilizan números de posición y los números de la leyenda están explicados en el apartado Vista general del producto .
	Preste especial atención a este símbolo cuando utilice el producto.

Símbolos de productos

Símbolos en el producto

En el producto se pueden utilizar los siguientes símbolos:

	El producto es apto para tecnología NFC, que es compatible con las plataformas iOS y Android.
	Serie utilizada de baterías de Ion-Litio Hilti . Consulte las indicaciones recogidas en el capítulo Uso conforme a las prescripciones .
Li-Ion	Batería de Ion-Litio
	Nunca utilice la batería como herramienta de percusión.
	No deje que la batería se caiga. No utilice baterías que hayan recibido algún golpe ni que estén dañadas de alguna otra forma.
	Utilizar protección para los ojos
	Trabaje siempre con ambas manos.
n	Velocidad de medición
/min	Revoluciones por minuto
RPM	Revoluciones por minuto
	Diámetro
	Si está en el producto, significa que el organismo de certificación lo ha certificado para el mercado estadounidense y canadiense según las normas vigentes.



Seguridad

Indicaciones generales de seguridad para herramientas eléctricas

⚠ ADVERTENCIA Lea con atención todas las indicaciones de seguridad, instrucciones, ilustraciones y datos técnicos correspondientes a esta herramienta eléctrica. La negligencia en el cumplimiento de las instrucciones que se describen a continuación podría provocar descargas eléctricas, incendios o lesiones graves.

Conserve todas las instrucciones e indicaciones de seguridad para futuras consultas.

El término «herramienta eléctrica» empleado en las indicaciones de seguridad se refiere a herramientas eléctricas portátiles, ya sea con cable de red o sin cable, en caso de ser accionadas por batería.

Seguridad en el puesto de trabajo

- ▶ **Mantenga su área de trabajo limpia y bien iluminada.** El desorden o una iluminación deficiente de las zonas de trabajo pueden provocar accidentes.
- ▶ **No utilice la herramienta eléctrica en un entorno con peligro de explosión en el que se encuentren líquidos, gases o polvos inflamables.** Las herramientas eléctricas producen chispas que pueden llegar a inflamar los materiales en polvo o vapores.
- ▶ **Mantenga alejados a los niños y otras personas de su puesto de trabajo al emplear la herramienta eléctrica.** Una distracción le puede hacer perder el control sobre la herramienta.

Seguridad eléctrica

- ▶ **El enchufe de la herramienta eléctrica debe corresponder a la toma de corriente utilizada. No se deberá modificar el enchufe en forma alguna. No utilice enchufes adaptadores para las herramientas eléctricas con puesta a tierra.** Los enchufes sin modificar adecuados a las respectivas tomas de corriente reducen el riesgo de descarga eléctrica.
- ▶ **Evite el contacto corporal con superficies que tengan puesta a tierra, como pueden ser tubos, calefacciones, cocinas y frigoríficos.** El riesgo a quedar expuesto a una sacudida eléctrica es mayor si su cuerpo tiene contacto con tierra.
- ▶ **No exponga las herramientas eléctricas a la lluvia y evite que penetren líquidos en su interior.** El riesgo de recibir descargas eléctricas aumenta si penetra agua en la herramienta eléctrica.
- ▶ **No utilice el cable de conexión para transportar o colgar la herramienta eléctrica ni tire de él para extraer el enchufe de la toma de corriente. Mantenga el cable de conexión alejado de fuentes de calor, aceite, aristas afiladas o piezas móviles.** Los cables de conexión dañados o enredados pueden provocar descargas eléctricas.
- ▶ **Cuando trabaje al aire libre con una herramienta eléctrica, utilice exclusivamente un alargador adecuado para exteriores.** La utilización de un alargador adecuado para su uso en exteriores evita el riesgo de una descarga eléctrica.
- ▶ **Cuando no pueda evitarse el uso de la herramienta eléctrica en un entorno húmedo, utilice un interruptor de corriente de defecto.** La utilización de un interruptor de corriente de defecto evita el riesgo de una descarga eléctrica.

Seguridad de las personas

- ▶ **Permanezca atento, preste atención durante el trabajo y utilice la herramienta eléctrica con prudencia. No utilice una herramienta eléctrica si está cansado, ni tampoco después de haber consumido alcohol, drogas o medicamentos.** Un momento de descuido al utilizar la herramienta eléctrica podría producir graves lesiones.
- ▶ **Utilice el equipo de seguridad personal adecuado y lleve siempre gafas protectoras.** El riesgo de lesiones se reduce considerablemente si, según el tipo y la aplicación de la herramienta eléctrica empleada, se utiliza un equipo de seguridad personal adecuado como una mascarilla antipolvo, zapatos de seguridad con suela antideslizante, casco de protección o protección para los oídos.
- ▶ **Evite una puesta en servicio fortuita de la herramienta. Asegúrese de que la herramienta eléctrica está apagada antes de alzarla, transportarla, conectarla a la toma de corriente o insertar la batería.** Si transporta la herramienta eléctrica sujetándola por el interruptor de conexión/desconexión o si introduce el enchufe en la toma de corriente con la herramienta conectada, podría producirse un accidente.
- ▶ **Retire las herramientas de ajuste o llaves fijas antes de conectar la herramienta eléctrica.** Una herramienta o llave colocada en una pieza giratoria puede producir lesiones al ponerse en funcionamiento.
- ▶ **Evite adoptar posturas forzadas. Procure que la postura sea estable y manténgase siempre en equilibrio.** De esta forma podrá controlar mejor la herramienta eléctrica en caso de presentarse una situación inesperada.
- ▶ **Utilice ropa adecuada. No utilice vestimenta amplia ni joyas. Mantenga su pelo, vestimenta y guantes alejados de las piezas móviles.** La vestimenta suelta, las joyas y el pelo largo se pueden enganchar con las piezas en movimiento.
- ▶ **Siempre que sea posible montar equipos de aspiración o captación de polvo, asegúrese de que están conectados y de que se utilizan correctamente.** El uso de un sistema de aspiración de polvo reduce los riesgos derivados del polvo.
- ▶ **No se crea a salvo de cualquier riesgo ni pase por alto ninguna de las normas de seguridad relativas a las herramientas eléctricas, aun cuando esté familiarizado con la herramienta eléctrica y tenga larga experiencia en su uso.** Una actuación negligente puede provocar lesiones graves en cuestión de segundos.

Uso y manejo de la herramienta eléctrica

- ▶ **No sobrecargue la herramienta. Utilice la herramienta eléctrica adecuada para el trabajo que se dispone a realizar.** Con la herramienta eléctrica apropiada podrá trabajar mejor y de modo más seguro dentro del margen de potencia indicado.
- ▶ **No utilice herramientas eléctricas con el interruptor defectuoso.** Las herramientas eléctricas que no se puedan conectar o desconectar son peligrosas y deben repararse.
- ▶ **Extraiga el enchufe de la toma de corriente o retire la batería extraíble antes de efectuar cualquier ajuste en la herramienta, cambiar accesorios o en caso de no utilizar la herramienta durante un tiempo prolongado.** Esta medida preventiva evita el riesgo de arranque accidental de la herramienta eléctrica.
- ▶ **Guarde las herramientas eléctricas que no utilice fuera del alcance de los niños. No permita utilizar la herramienta a ninguna persona que no esté familiarizada con ella o que no haya leído este manual de instrucciones.** Las herramientas eléctricas utilizadas por personas inexpertas son peligrosas.
- ▶ **Cuide su herramienta eléctrica y los accesorios adecuadamente. Compruebe si las piezas móviles de la herramienta funcionan correctamente y sin atascarse, y si existen piezas rotas o deterioradas que pudieran afectar al funcionamiento de la herramienta eléctrica. Encargue la reparación de las piezas defectuosas antes de usar la herramienta eléctrica.** Muchos accidentes son consecuencia de un mantenimiento inadecuado de la herramienta eléctrica.



- ▶ **Mantenga los útiles limpios y afilados.** Las herramientas de corte bien cuidadas y con aristas afiladas se atascan menos y se guían con más facilidad.
- ▶ **Utilice la herramienta eléctrica, los accesorios, útiles de inserción, etc., de acuerdo con estas instrucciones. Para ello, tenga en cuenta las condiciones de trabajo y la tarea que se va a realizar.** El uso de herramientas eléctricas para trabajos diferentes de aquellos para los que han sido concebidas puede resultar peligroso.
- ▶ **Mantenga las empuñaduras y las superficies de contacto secas, limpias y sin residuos de aceite o grasa.** Las empuñaduras y superficies de contacto resbaladizas impiden manejar y controlar la herramienta eléctrica con seguridad en situaciones imprevistas.

Uso y manejo de la herramienta de batería

- ▶ **Cargue las baterías únicamente con los cargadores recomendados por el fabricante.** Existe riesgo de incendio al intentar cargar baterías de un tipo diferente al previsto para el cargador.
- ▶ **Utilice únicamente las baterías previstas para la herramienta eléctrica.** El uso de otro tipo de baterías puede provocar daños e incluso incendios.
- ▶ **Si no utiliza la batería, guárdela separada de clips, monedas, llaves, clavos, tornillos y demás objetos metálicos que pudieran puentear sus contactos.** El cortocircuito de los contactos de la batería puede causar quemaduras o incendios.
- ▶ **La utilización inadecuada de la batería puede provocar fugas de líquido. Evite el contacto con este líquido. En caso de contacto accidental, enjuague el área afectada con abundante agua. En caso de contacto con los ojos, acuda además inmediatamente a un médico.** El líquido de la batería puede irritar la piel o producir quemaduras.
- ▶ **No utilice baterías dañadas o modificadas.** Una batería dañada o modificada puede tener un comportamiento imprevisible y provocar incendios, explosiones o riesgo de lesiones.
- ▶ **No exponga la batería al fuego o a temperaturas muy elevadas.** El fuego o las temperaturas superiores a 130 °C (265 °F) pueden provocar una explosión.
- ▶ **Siga todas las instrucciones relativas a la carga y no cargue nunca la batería o la herramienta de batería excediendo el rango de temperatura indicado en el manual de instrucciones.** Una carga incorrecta o fuera del rango de temperatura permitido puede destruir la batería y aumentar el riesgo de incendio.

Servicio Técnico

- ▶ **Solicite que un profesional lleve a cabo la reparación de su herramienta eléctrica y que utilice exclusivamente piezas de repuesto originales.** Solamente así se garantiza la seguridad de la herramienta.
- ▶ **No realice nunca el mantenimiento de baterías dañadas.** Cualquier mantenimiento de las baterías debe llevarlo a cabo el fabricante o un centro del Servicio de Atención al Cliente autorizado.

Indicaciones de seguridad adicionales

Seguridad de las personas

- ▶ Utilice el producto y los accesorios solo si están en perfecto estado técnico.
- ▶ No efectúe nunca manipulaciones o modificaciones en el producto ni en los accesorios.
- ▶ Evite tocar las piezas en movimiento, ya que existe riesgo de lesiones.
- ▶ Sujete siempre el producto con ambas manos por las empuñaduras previstas. Mantenga las empuñaduras secas y limpias.
- ▶ Espere hasta que el producto se haya detenido por completo antes de dejarlo sobre alguna superficie.
- ▶ Utilice guantes de protección para cambiar el útil. El contacto con el útil de inserción puede producir cortes y quemaduras.
- ▶ El polvo que se genera al pulir, lijar, cortar y taladrar puede contener productos químicos peligrosos, como, por ejemplo, plomo o pinturas basadas en plomo; ladrillos, hormigón y otros productos de mampostería, piedra natural y otros productos que contengan silicatos; determinadas maderas, como el roble o el haya o las maderas tratadas químicamente, o amianto o materiales que contengan asbesto. La exposición del usuario y las personas circundantes debe regularse según la clase de peligro de los materiales con los que se trabaje. Tome las medidas necesarias para mantener la exposición a un nivel seguro, p. ej., mediante el uso de un sistema de recogida de polvo o una mascarilla adecuada. Las medidas genéricas para reducir la exposición son, entre otras:
 - ▶ trabajar en un espacio bien ventilado;
 - ▶ evitar el contacto prolongado con el polvo;
 - ▶ desviar el polvo de la cara y el cuerpo;
 - ▶ usar prendas protectoras y lavar con agua y jabón las zonas expuestas.
- ▶ Efectúe a menudo pausas y ejercicios para mejorar la circulación de los dedos. Tras muchas horas de trabajo expuesto a las vibraciones intensas, pueden surgir complicaciones en los vasos sanguíneos o en el sistema nervioso en dedos, manos o articulaciones de las manos.
- ▶ - Riesgo de lesiones en caso de caída de herramientas o accesorios. Antes de iniciar el trabajo, compruebe que la batería y los accesorios montados estén bien fijados.
- ▶ No monte ganchos para cinturón en esta herramienta.
- ▶ Mantenga siempre las rejillas de ventilación despejadas. Riesgo de quemaduras debido a rejillas de ventilación cubiertas.

Manipulación y utilización segura de las herramientas eléctricas

- ▶ No coloque el producto sobre la batería.

Manipulación y utilización segura de las baterías

- ▶ **Tenga en cuenta las siguientes indicaciones de seguridad para el manejo y el uso seguros de las baterías de Ion-Litio.** En caso de no respetarlas, puede llevar a irritación de la piel, lesiones corrosivas graves, quemaduras químicas, fuego o explosiones.
- ▶ Utilice las baterías solo si están en perfecto estado técnico.
- ▶ Manipule las baterías con cuidado a fin de evitar daños o escapes de líquido altamente peligroso para su salud.
- ▶ Las baterías no deben modificarse ni manipularse en ningún caso.
- ▶ Las baterías no se deben destruir, comprimir, calentar por encima de 80 °C (176 °F) o quemar.
- ▶ No utilice ni cargue baterías que hayan recibido algún golpe ni que estén dañadas de alguna otra forma. Compruebe con regularidad si las baterías presentan signos de daños.
- ▶ No utilice nunca baterías recicladas o reparadas.



- ▶ Nunca utilice la batería o una herramienta eléctrica de batería como herramienta de percusión.
- ▶ No exponga nunca las baterías a radiación solar directa, temperaturas elevadas, chispas o llamas abiertas. Esto puede provocar explosiones.
- ▶ No toque los polos de la batería con los dedos, con herramientas, con joyas o con otros objetos conductores de la electricidad. Esto puede dañar la batería y provocar otros daños materiales y lesiones.
- ▶ Mantenga las baterías alejadas de la lluvia, la humedad y los líquidos. Si entra humedad, pueden producirse cortocircuitos, descargas eléctricas, quemaduras, incendios y explosiones.
- ▶ Utilice únicamente cargadores y herramientas eléctricas concebidos para este tipo de baterías. Para ello, consulte las indicaciones recogidas en el manual de instrucciones correspondiente.
- ▶ No utilice ni almacene la batería en entornos con peligro de explosión.
- ▶ Si al tocar la batería detecta que está muy caliente, puede deberse a una avería en la misma. Coloque la batería en un lugar visible, no inflamable, a suficiente distancia de otros materiales inflamables. Deje que la batería se enfríe. Si, después de una hora, la herramienta sigue estando demasiado caliente para tocarla significa que está averiada. Diríjase al Servicio Técnico de **Hilti** o lea el documento «Indicaciones de seguridad y uso de las baterías de Ion-Litio de **Hilti**».

Tenga en cuenta las directivas especiales aplicables al transporte, almacenamiento y uso de las baterías de Ion-Litio. 28
 Lea las instrucciones de seguridad y uso de las baterías de Ion-Litio de **Hilti**, que puede encontrar escaneando el código QR que se encuentra al final de estas instrucciones de uso.

Descripción

Vista general del producto

- | | |
|---|--|
| Tornillo excéntrico | Cubierta de la carcasa |
| Tornillo de tope del brazo basculante | Rodillo motor |
| Interruptor de conexión y desconexión con bloqueo | Tornillos de fijación del brazo abrasivo |
| Rueda de ajuste para velocidad | Brazo abrasivo |
| Indicador de estado de la batería | Tornillos de ajuste del brazo abrasivo |
| Tecla de desbloqueo de la batería | Banda abrasiva |
| Batería | Rodillo de presión |
| Filtro de polvo | Botón de bloqueo del husillo |
| Empuñadura lateral | |

Uso conforme a las prescripciones

El producto descrito es una lijadora de cinta de batería de guiado manual. Está concebida para trabajos de lijado y pulido de superficies metálicas en zonas de difícil acceso sin uso de agua.

- Para este producto utilice únicamente baterías Li-Ion de la serie B 22 de **Hilti** Nuron. Para garantizar que este producto ofrece un rendimiento óptimo, **Hilti** recomienda utilizar las baterías indicadas en la tabla que encontrará el final de este manual de instrucciones.
- Para estas baterías utilice exclusivamente los cargadores **Hilti** de las series indicadas en la tabla que encontrará al final de este manual de instrucciones.

Posibles usos indebidos

Prohibido emplear el producto para operaciones de rectificado en húmedo.

Prohibido utilizar el producto para mecanizar materiales peligrosos para la salud o fácilmente inflamables (p. ej., amianto, magnesio o madera).

Suministro

Lijadora de cinta, empuñadura lateral, brazo abrasivo, llave Torx, manual de instrucciones.

Encontrará otros productos del sistema autorizados para su producto en su **Hilti Store** o en Internet, en: www.hilti.group

Protección de la herramienta en función de la temperatura

La protección del motor dependiente de la temperatura controla el consumo de corriente y el calentamiento del motor, y protege así el producto de un sobrecalentamiento.

En caso de sobrecarga del motor a causa de una presión de apriete elevada, la potencia de la herramienta disminuye notablemente, o incluso puede producirse una parada.

En caso de que se produzca una parada o una reducción de la velocidad debido a una sobrecarga, deberá dejar libre de carga la herramienta y mantenerla durante aprox. 30 s en velocidad de giro en vacío.

Mostrar la batería Ion-Litio

Las baterías de Ion-Litio de **Hilti** Nuron pueden mostrar el estado de carga, los mensajes de error y el estado de la batería.

Visualización del estado de carga y de los mensajes de error

ADVERTENCIA

Riesgo de lesiones por la caída de la batería

- ▶ Con la batería colocada, asegúrese tras pulsar la tecla de desbloqueo de que la batería vuelva a encajar correctamente en el producto empleado.

Para recibir una de las siguientes indicaciones, pulse brevemente la tecla de desbloqueo de la batería.

El estado de carga y las posibles averías también se muestran de forma permanente mientras el producto esté conectado.



Estado	Significado
Cuatro (4) LED encendidos permanentemente en verde	Estado de carga: 100 % a 71 %
Tres (3) LED encendidos permanentemente en verde	Estado de carga: 70 % a 51 %
Dos (2) LED se iluminan permanentemente en verde	Estado de carga: 50 % a 26 %
Un (1) LED está encendido permanentemente en verde	Estado de carga: 25 % a 10 %
Un (1) LED parpadea lentamente en verde	Estado de carga: < 10 %
Un (1) LED parpadea rápidamente en verde	La batería Ion-Litio está totalmente descargada. Cargue la batería. Si tras cargar la batería el LED sigue parpadeando rápidamente, diríjase al Servicio Técnico de Hilti .
Un (1) LED parpadea rápidamente en amarillo	La batería de Ion-Litio o el producto conectado a ella están sobrecargados, demasiado calientes, demasiado fríos o existe otro error. Ponga el producto y la batería en la temperatura de trabajo recomendada y no sobrecargue el producto durante su uso. Si sigue viendo el mensaje, diríjase al Servicio Técnico de Hilti .
Un (1) LED está encendido en amarillo	La batería Ion-Litio y el producto conectado a ella no son compatibles. Diríjase al servicio técnico de Hilti .
Un (1) LED parpadea rápidamente en rojo	La batería Ion-Litio está bloqueada y no puede seguir utilizándose. Diríjase al servicio técnico de Hilti .

Visualización del estado de la batería

Para consultar el estado de la batería, mantenga la tecla de desbloqueo pulsada durante más de tres segundos. El sistema no detecta un posible funcionamiento incorrecto de la batería debido a un mal uso, como caídas, hendiduras, daños por calor externo, etc.

Estado	Significado
Todos los LED se encienden como luz en movimiento y, a continuación, se enciende un (1) LED permanentemente en verde.	La batería puede seguir utilizándose.
Todos los LED se encienden como luz en movimiento y, a continuación, parpadea un (1) LED rápidamente en amarillo.	No se ha podido completar la consulta sobre el estado de la batería. Repita la operación o diríjase al Servicio Técnico de Hilti .
Todos los LED se encienden como luz en movimiento y, a continuación, parpadea un (1) LED permanentemente en rojo.	Quando un producto conectado puede seguir utilizándose, la capacidad restante de la batería es inferior al 50 %. Quando un producto conectado ya no puede seguir utilizándose, la batería ha llegado al final de su vida útil y debe ser sustituida. Diríjase al servicio técnico de Hilti .

Datos técnicos

Datos técnicos

La lijadora de cinta se suministra de serie con brazo abrasivo largo o corto. Cada uno de los útiles también está disponible como accesorio opcional y es compatible con todas las variantes de suministro.

Peso sin batería B22	2,3 kg (5,1 lb)
Tensión nominal	21,6 V
Velocidad de la banda	4,3 m/s ... 9,5 m/s (14,1 ft/s ... 31,2 ft/s)
Dimensiones de la banda (La × An)	18 in × 1/4 ... 1 3/16 in
Dimensiones de la banda (La × An)	21 in × 1/4 ... 1 3/16 in
Temperatura ambiente en funcionamiento	-17 °C ... 60 °C (1 °F ... 140 °F)
Temperatura de almacenamiento	-20 °C ... 70 °C (-4 °F ... 158 °F)

Batería

Tensión de servicio de la batería	21,6 V
Peso batería	Véase al final del manual de instrucciones
Temperatura ambiente en funcionamiento	-17 °C ... 60 °C (1 °F ... 140 °F)
Temperatura de almacenamiento	-20 °C ... 40 °C (-4 °F ... 104 °F)
Temperatura de la batería al comenzar la carga	-10 °C ... 45 °C (14 °F ... 113 °F)



Preparación del trabajo

ADVERTENCIA

Riesgo de lesiones por arranque involuntario.

- ▶ Antes de insertar la batería, asegúrese de que el producto correspondiente esté desconectado.
- ▶ Retire la batería antes de realizar ajustes en la herramienta o de cambiar accesorios.

Respete las indicaciones de seguridad y las advertencias presentes en esta documentación y en el producto.

Carga de la batería

1. Antes de cargarla, lea el manual de instrucciones del cargador.
2. Asegúrese de que los contactos de la batería y del cargador estén limpios y secos.
3. Cargue la batería en un cargador autorizado. 23

Colocación de la batería

ADVERTENCIA

Riesgo de lesiones por cortocircuito o caída de la batería.

- ▶ Antes de insertar la batería, asegúrese de que los contactos de la batería y del producto estén libres de cuerpos extraños.
- ▶ Asegúrese de que la batería encaje siempre correctamente.

1. Cargue por completo la batería antes de la primera puesta en servicio.
2. Introduzca la batería en el producto hasta que encaje de forma audible.
3. Compruebe que la batería está bien colocada.

Extracción de la batería

1. Pulse la tecla de desbloqueo de la batería.
2. Retire la batería del producto.

Montaje de la empuñadura lateral 2

- ▶ Atornille la empuñadura lateral en el casquillo con rosca interior.

Elevación de la banda abrasiva 3

PRECAUCIÓN

Riesgo de lesiones. Una dirección de marcha incorrecta puede provocar que la banda abrasiva se desgarre.

- ▶ Tenga en cuenta el sentido de marcha indicado para la banda abrasiva. La dirección de la marcha debe coincidir con la flecha que hay sobre la cabeza del engranaje.

1. Desmonte la empuñadura lateral.
2. Gire la tapa de la carcasa hacia un lado.
3. Gire el tornillo excéntrico hasta que encaje para destensar el brazo abrasivo.
4. Tire de la banda abrasiva hacia el centro sobre el brazo abrasivo y el rodillo motor.
5. Afloje el tornillo excéntrico para tensar el brazo abrasivo.
6. Gire la tapa de la carcasa para que quede delante de la carcasa.
7. Monte la empuñadura lateral. 25

No todas las bandas abrasivas son compatibles con todos los brazos abrasivos. Seleccione la combinación adecuada de la siguiente tabla y, en caso necesario, cambie el brazo abrasivo 26.

Combinación recomendada para brazo abrasivo/ancho de banda

Rodillo de 9 mm, puntiagudo	4 mm ... 9 mm (0,2 in ... 0,4 in)
Rodillo de 9 mm, esférico	4 mm ... 13 mm (0,2 in ... 0,5 in)
Rodillo de 30 mm, pequeño	13 mm ... 30 mm (0,5 in ... 1,2 in)
Rodillo de 30 mm, grande	13 mm ... 30 mm (0,5 in ... 1,2 in)

Extracción de la banda abrasiva 3

1. Desmonte la empuñadura lateral.
2. Gire la tapa de la carcasa hacia un lado.
3. Gire el tornillo excéntrico hasta que encaje para destensar el brazo abrasivo.
4. Extraiga la banda abrasiva.
5. Afloje el tornillo excéntrico para destensar el muelle del brazo abrasivo.

Ajuste del recorrido de la banda 4

1. Ajuste el recorrido de la banda con el tornillo de ajuste del brazo abrasivo.
2. Seleccione el ajuste de forma que la banda transcurra por el centro del rodillo de presión.
3. Ajuste la velocidad. 26



4. Deje la banda en marcha con la velocidad más baja y compruebe la configuración.

Cambio del brazo abrasivo

1. Extraiga la banda abrasiva. 25
2. Afloje el tornillo de ajuste.
3. Desmonte los tornillos de fijación y retire el brazo abrasivo.
4. Coloque el nuevo brazo abrasivo y ensamble los tornillos de fijación con el par de giro indicado.

Datos técnicos	
Par de apriete de los tornillos de fijación del brazo abrasivo	2,7 Nm (2,0 ftlb _f)

5. Levante la banda abrasiva. 25
6. Ajuste el recorrido de la banda. 25

Ajuste del brazo basculante

1. Afloje el tornillo de tope del brazo basculante.
2. Inclíne el brazo basculante en la posición deseada.
3. Apriete el tornillo de tope.

Protección frente a caídas

ADVERTENCIA

Riesgo de lesiones por caída de herramientas o accesorios.

- Utilice únicamente la cuerda de amarre para herramientas **Hilti** recomendada para su producto.
- Antes de cada uso, compruebe que el punto de fijación de la cuerda de amarre para herramientas no presente posibles daños.

Tenga en cuenta las directivas nacionales para trabajos en altura.

Para este producto, utilice únicamente como protección frente a caídas una combinación de la protección anticaídas #2293133 de **Hilti** con la cuerda de amarre para herramientas #2261970 de **Hilti**.

- Fije la protección anticaídas a las aberturas de montaje para accesorios. Compruebe que quede fijada de forma segura.
- Fije un mosquetón de la cuerda de amarre para herramientas a la protección anticaídas y el segundo mosquetón a una estructura portante. Compruebe que ambos mosquetones queden fijados de forma segura.

Tenga en cuenta los manuales de instrucciones de la protección anticaídas de **Hilti** y de la cuerda de amarre para herramientas de **Hilti**.

Manejo

Respete las indicaciones de seguridad y las advertencias presentes en esta documentación y en el producto.

Conexión

1. Presione la parte posterior del interruptor de conexión y desconexión.
2. Empuje el interruptor de conexión y desconexión hacia delante.
 - El motor funciona.
3. Bloquee el interruptor de conexión y desconexión.

Ajuste de la velocidad

- Use la rueda de ajuste para ajustar la velocidad.

Velocidad de marcha de la banda sin carga

Posición 1	4,3 m/s (14,1 ft/s)
Posición 2	5,2 m/s (17,1 ft/s)
Posición 3	6,1 m/s (20,0 ft/s)
Posición 4	7,0 m/s (23,0 ft/s)
Posición 5	8,0 m/s (26,2 ft/s)
Posición 6	9,5 m/s (31,2 ft/s)

Lijado

PRECAUCIÓN

Riesgo de lesiones. El contacto con la banda abrasiva en marcha puede producir cortes y roces.

- No toque la banda abrasiva mientras esté en marcha.



No sobrepase la velocidad indicada para la banda abrasiva.

Sujete la pieza de trabajo con la que se va a trabajar.

1. Levante la lijadora de cinta de la superficie de trabajo.
2. Conecte el producto. 26
 - ▶ Ahora el producto se encuentra en modo de marcha continua.
3. Ajuste la velocidad. 26
4. Monte la lijadora de cinta con la banda abrasiva sobre la pieza de trabajo y muévela de un lado a otro.
5. Trabaje sobre el lado de tracción de la banda abrasiva.
6. Trabaje con una presión moderada y no presione la banda abrasiva contra el material. Si la presión de apriete es demasiado alta, la banda abrasiva puede salirse del rodillo de presión.

Desconexión

- ▶ Presione la parte posterior del interruptor de conexión y desconexión.
 - ▶ El interruptor de conexión y desconexión pasa a la posición de desconexión y el motor se detiene.

Cuidado y mantenimiento

ADVERTENCIA

Riesgo de lesiones con la batería colocada !

- ▶ Extraiga siempre la batería antes de llevar a cabo tareas de cuidado y mantenimiento.

Cuidado del producto

- Elimine con precaución la suciedad fuertemente adherida.
- Las rejillas de ventilación, si las hay, deben limpiarse con cuidadosamente con un cepillo seco y suave.
- Limpie la carcasa solo con un paño ligeramente humedecido. No utilice productos de limpieza que contengan silicona, ya que podrían dañar las piezas de plástico.
- Utilice un paño limpio y seco para limpiar los contactos del producto.

Cuidado de las baterías de Ion-Litio

- No utilice nunca una batería con las rejillas de ventilación obstruidas. Limpie cuidadosamente las rejillas de ventilación con un cepillo seco y suave.
- Evite la exposición innecesaria de la batería al polvo o la suciedad. No exponga nunca la batería a altos niveles de humedad (por ejemplo, sumergiéndola en agua o dejándola bajo la lluvia).

Si penetra agua en la batería, trátela como una batería dañada. Aíslela en un recipiente no inflamable y póngase en contacto con el Servicio Técnico de **Hilti**.

- Mantenga la batería limpia de aceite o grasa. No permita la acumulación innecesaria de polvo o suciedad en la batería. Limpie la batería con un cepillo seco y suave o con un paño limpio y seco. No utilice productos de limpieza que contengan silicona, ya que podrían dañar las piezas de plástico.

No toque los contactos de la batería y no elimine de los contactos la grasa aplicada de fábrica.

- Limpie la carcasa solo con un paño ligeramente humedecido. No utilice productos de limpieza que contengan silicona, ya que podrían afectar a las piezas de plástico.

Mantenimiento

- Compruebe con regularidad que las piezas visibles no estén dañadas y los elementos de manejo funcionen correctamente.
- No utilice el producto si presenta daños o fallos que afecten al funcionamiento. Encargue inmediatamente la reparación del producto al Servicio Técnico de **Hilti**.
- Tras las tareas de cuidado y mantenimiento, coloque todos los dispositivos de protección y asegúrese de que funcionen correctamente.

Para garantizar un correcto funcionamiento, utilice exclusivamente piezas de repuesto y consumibles originales. Las piezas de repuesto, los consumibles y los accesorios autorizados por **Hilti** se pueden consultar en su **Hilti Store** o en: www.hilti.group

Cambio del rodillo motor

En caso de desgaste, se puede cambiar el rodillo motor.

1. Extraiga la banda abrasiva. 25
2. Quite los tornillos de fijación del rodillo motor. Para ello, en caso necesario, mantenga pulsado el botón de bloqueo del husillo.
3. Extraiga el rodillo motor del husillo.
4. Coloque el nuevo rodillo motor en el husillo.
5. Ensamble los tornillos de fijación con el par de giro indicado. Para ello, en caso necesario, mantenga pulsado el botón de bloqueo del husillo.

Datos técnicos

Par de apriete de los tornillos de fijación del rodillo motor	2,4 Nm (1,8 ftlb _o)
---	------------------------------------



Transporte y almacenamiento de las baterías y sus herramientas

Transporte

PRECAUCIÓN

Arranque involuntario en el transporte !

► Transporte sus productos siempre sin batería.

- Extraiga la(s) batería(s).
- Nunca transporte las baterías sin embalaje. Durante el transporte, las baterías deben estar protegidas frente a vibraciones y golpes excesivos y aisladas de todo material conductor y de otras baterías para que no entren en contacto con los polos de otras baterías y causen un cortocircuito. **Tenga en cuenta las normativas locales sobre el transporte de baterías.**
- Las baterías no deben enviarse por correo. Diríjase a una empresa de transporte si quiere enviar baterías no dañadas.
- Compruebe si el producto o las baterías están dañados antes de cada uso y antes y después de un transporte prolongado.

Almacenamiento

ADVERTENCIA

Daños imprevistos debido a una batería defectuosa o agotada !

► Guarde su productos siempre sin batería.

- Guarde el producto y las baterías en un lugar fresco y seco. Tenga en cuenta los valores límite de temperatura que figuran en los datos técnicos.
- No almacene las baterías en el cargador. Extraiga siempre la batería del cargador después del proceso de carga.
- No guarde nunca las baterías en un lugar expuesto al sol, a fuentes de calor o detrás de un cristal.
- Guarde el producto y las baterías fuera del alcance de niños y personas no autorizadas.
- Compruebe si el producto o las baterías están dañados antes de cada uso y antes y después de un almacenamiento prolongado.

Ayuda en caso de averías

En caso de producirse una avería, compruebe el indicador de estado de la batería. Véase el capítulo **Mostrar la batería de Ion-Litio**.

Si se producen averías que no estén incluidas en esta tabla o que no pueda solucionar usted, diríjase al Servicio Técnico de **Hilti**.

Anomalía	Posible causa	Solución
La batería se descarga con más rapidez de lo usual.	Temperatura ambiente demasiado baja.	► Deje que la batería alcance poco a poco la temperatura ambiente.
La batería no se enclava con un «clic» audible.	La lengüeta de la batería está sucia.	► Limpie la lengüeta y vuelva a colocar la batería.
Calentamiento considerable del producto o la batería.	Error en el sistema eléctrico	► Desconecte el producto de inmediato, extraiga la batería, examínela, deje que se enfríe y póngase en contacto con el Servicio Técnico de Hilti .
El producto no desarrolla toda la potencia.	Se ha empleado una batería con muy poca capacidad.	► Utilice una batería con suficiente capacidad.
Sin función de frenado del motor.	La batería está descargada.	► Cambie la batería y recargue la batería vacía.
	El producto está sobrecargado brevemente.	► Desconecte y vuelva a conectar el producto.
Los LED de la batería no indican nada	La batería está defectuosa.	► Póngase en contacto con el Servicio Técnico de Hilti .

Reciclaje

ADVERTENCIA

Riesgo de lesiones por un reciclaje indebido. Riesgo para la salud debido a escapes de gases o líquidos.

- No envíe baterías dañadas bajo ningún concepto.
- Cubra las conexiones con un material no conductor para evitar cortocircuitos.
- Deshágase de las baterías de tal forma que no terminen en manos de niños.
- Elimine la batería en su **Hilti Store** o diríjase a su empresa de desechos.

Los productos **Hilti** están fabricados en su mayor parte con materiales reutilizables. La condición para dicha reutilización es una separación adecuada de los materiales. En muchos países, **Hilti** recoge las herramientas usadas para su recuperación. Pregunte al Servicio de Atención al Cliente de **Hilti** o a su asesor de ventas.



- No deseche las herramientas eléctricas, los aparatos eléctricos ni las baterías junto con los residuos domésticos.

Garantía del fabricante

► Si tiene alguna consulta acerca de las condiciones de la garantía, póngase en contacto con su sucursal local de **Hilti**.

Más información

Encontrará información adicional sobre manejo, técnica, medio ambiente y reciclaje en el siguiente enlace: qr.hilti.com/manual/?id=2332261

Encontrará este enlace también al final de la documentación como código QR.



pt Manual de instruções original

Indicações sobre o Manual de instruções

Relativamente a este Manual de instruções

- **Aviso!** Antes de utilizar o produto, certifique-se de que leu e compreendeu o Manual de instruções fornecido com o produto incluindo as instruções, instruções de segurança e advertências, figuras e especificações. Familiarize-se sobretudo com todas as instruções, instruções de segurança e advertências, figuras, especificações, bem como com componentes e funções. Em caso de incumprimento existe perigo de choque eléctrico, incêndio e/ou ferimentos graves. Guarde o Manual de instruções incluindo todas as instruções, instruções de segurança e advertências para utilização posterior.
- Os produtos **HILTI** destinam-se ao utilizador profissional e só podem ser operados, mantidos e reparados por pessoal autorizado, devidamente qualificado. Estas pessoas deverão estar informadas em particular sobre os potenciais perigos. O produto e seu equipamento auxiliar podem representar perigo se usados incorrectamente por pessoas não qualificadas ou se usados para fins diferentes daqueles para os quais foram concebidos.
- O Manual de instruções fornecido corresponde ao actual avanço tecnológico no momento da impressão. Encontra a versão actual sempre online, na página de produtos Hilti. Para o efeito, siga a hiperligação ou o código QR neste Manual de instruções, identificado com o símbolo
- Entregue o produto a outras pessoas apenas juntamente com o Manual de instruções.

Explicação dos símbolos

Advertências

As advertências alertam para perigos durante a utilização do produto. São utilizadas as seguintes palavras de aviso:



PERIGO

PERIGO !

- Indica perigo iminente que pode originar acidentes pessoais graves ou até mesmo fatais.



AVISO

AVISO !

- Indica um possível perigo que pode causar graves ferimentos pessoais, até mesmo fatais.



CUIDADO

CUIDADO !

- Indica uma situação potencialmente perigosa que pode originar ferimentos corporais ou danos materiais.

Símbolos no manual de instruções

Neste manual de instruções são utilizados os seguintes símbolos:

	Consultar o manual de instruções
	Instruções de utilização e outras informações úteis
	Manuseamento com materiais recicláveis
	Não deitar as ferramentas eléctricas e baterias no lixo doméstico
	Bateria de íões de lítio Hilti
	Carregador Hilti

Símbolos nas figuras

Em figuras são utilizados os seguintes símbolos:

	Estes números remetem para a figura respectiva no início do presente manual de instruções.
	A numeração reproduz uma sequência dos passos de trabalho na imagem e pode divergir dos passos de trabalho no texto.
	Na figura Vista geral são utilizados números de posição que fazem referência aos números da legenda na secção Vista geral do produto .
	Este símbolo pretende despertar a sua atenção durante o manuseamento do produto.

Símbolos dependentes do produto

Símbolos no produto

No produto, podem usar-se os seguintes símbolos:

	O produto suporta a tecnologia NFC que é compatível com plataformas iOS e Android.
--	--



	Série utilizada da bateria de íões de lítio Hilti . Tenha em atenção as indicações no capítulo Utilização conforme a finalidade projectada .
Li-Ion	Bateria de íões de lítio
	Nunca utilize a bateria como ferramenta de percussão.
	Não deixe cair a bateria. Não utilize baterias que tenham recebido uma pancada ou que estejam, de outra forma, danificadas.
	Use óculos de protecção
	Trabalhe sempre com as duas mãos.
n	Velocidade nominal
/min	Rotações por minuto
RPM	Rotações por minuto
	Diâmetro
	Se existente no produto, isso significa que o produto foi certificado por este organismo de certificação para o mercado americano e canadiano de acordo com as normas em vigor.

Segurança

Normas de segurança gerais para ferramentas eléctricas

⚠ AVISO Leia todas as normas de segurança, instruções, imagens e dados técnicos, com os quais esta ferramenta eléctrica está equipada. O não cumprimento das instruções a seguir pode resultar em choque eléctrico, incêndio e/ou ferimentos graves.

Guarde bem todas as normas de segurança e instruções para futura referência.

O termo “ferramenta eléctrica” utilizado nas normas de segurança refere-se a ferramentas com ligação à corrente eléctrica (com cabo de alimentação) ou a ferramentas a bateria (sem cabo).

Segurança no posto de trabalho

- ▶ **Mantenha a sua área de trabalho limpa e bem iluminada.** Locais desarrumados ou mal iluminados podem ocasionar acidentes.
- ▶ **Não utilize a ferramenta eléctrica em ambientes explosivos ou na proximidade de líquidos ou gases inflamáveis.** Ferramentas eléctricas produzem faíscas que podem provocar a ignição de pó e vapores.
- ▶ **Mantenha crianças e terceiros afastados durante os trabalhos.** Distrações podem conduzir à perda de controlo sobre a ferramenta.

Segurança eléctrica

- ▶ **A ficha da ferramenta eléctrica deve servir na tomada. A ficha não deve ser modificada de modo algum. Não utilize quaisquer adaptadores com ferramentas eléctricas com ligação terra.** Fichas originais (não modificadas) e tomadas adequadas reduzem o risco de choque eléctrico.
- ▶ **Evite o contacto do corpo com superfícies ligadas à terra, como, por exemplo, canos, radiadores, fogões e frigoríficos.** Existe um risco elevado de choque eléctrico se o corpo estiver com ligação à terra.
- ▶ **As ferramentas eléctricas não devem ser expostas à chuva nem à humidade.** A infiltração de água numa ferramenta eléctrica aumenta o risco de choque eléctrico.
- ▶ **Não use o cabo de ligação para transportar, pendurar ou desligar a ferramenta eléctrica da tomada. Mantenha o cabo de ligação afastado de calor, óleo, arestas vivas ou partes em movimento.** Cabos de ligação danificados ou emaranhados aumentam o risco de choque eléctrico.
- ▶ **Quando operar uma ferramenta eléctrica ao ar livre, utilize apenas cabos de extensão próprios para utilização no exterior.** A utilização de um cabo de extensão próprio para utilização no exterior reduz o risco de choques eléctricos.
- ▶ **Utilize um disjuntor diferencial se não puder ser evitada a utilização da ferramenta eléctrica em ambiente húmido.** A utilização de um disjuntor diferencial reduz o risco de choque eléctrico.

Segurança física

- ▶ **Esteja alerta, observe o que está a fazer, e tenha prudência ao trabalhar com uma ferramenta eléctrica. Se estiver cansado ou sob influência de drogas, álcool ou medicamentos não efectue nenhum trabalho com ferramentas eléctricas.** Um momento de distração ao operar a ferramenta eléctrica pode causar ferimentos graves.
- ▶ **Use equipamento de segurança. Use sempre óculos de protecção.** Equipamento de segurança, como, por exemplo, máscara antipoeiras, sapatos de segurança antiderrapantes, capacete de segurança ou protecção auricular, de acordo com o tipo e aplicação da ferramenta eléctrica, reduzem o risco de lesões.
- ▶ **Evite um arranque involuntário. Assegure-se de que a ferramenta eléctrica está desligada antes de a ligar à fonte de alimentação e/ou à bateria, pegar nela ou a transportar.** Transportar a ferramenta eléctrica com o dedo no interruptor ou ligar uma ferramenta à tomada com o interruptor ligado (ON) pode resultar em acidentes.
- ▶ **Remova quaisquer chaves de ajuste (chaves de fenda), antes de ligar a ferramenta eléctrica.** Um acessório ou chave deixado preso numa parte rotativa da ferramenta pode causar ferimentos.



- ▶ **Evite posturas corporais desfavoráveis. Mantenha sempre uma posição correcta, em perfeito equilíbrio.** Desta forma será mais fácil manter o controlo sobre a ferramenta eléctrica em situações inesperadas.
- ▶ **Use roupa apropriada. Não use roupa larga ou jóias. Mantenha o cabelo, vestuário e luvas afastados das peças móveis.** Roupas largas, jóias ou cabelos compridos podem ficar presos nas peças móveis.
- ▶ **Se puderem ser montados sistemas de remoção e de recolha de pó, assegure-se de que estes estão ligados e são utilizados correctamente.** A utilização de um sistema de remoção de pó pode reduzir os perigos relacionados com a exposição ao mesmo.
- ▶ **Não se acomode numa falsa sensação de segurança e não ignore os regulamentos de segurança para ferramentas eléctricas, mesmo se estiver familiarizado com a ferramenta eléctrica após numerosas utilizações.** Agir de forma descuidada pode causar ferimentos graves dentro duma fracção de segundo.

Utilização e manuseamento da ferramenta eléctrica

- ▶ **Não sobrecarregue a ferramenta. Use para o seu trabalho a ferramenta eléctrica correcta.** Com a ferramenta eléctrica adequada obterá maior eficiência e segurança se respeitar os seus limites.
- ▶ **Não utilize a ferramenta eléctrica se o interruptor estiver defeituoso.** Uma ferramenta eléctrica que já não possa ser accionada pelo interruptor é perigosa e deve ser reparada.
- ▶ **Retire a ficha da tomada e/ou remova uma bateria amovível antes de efectuar ajustes na ferramenta, substituir acessórios ou guardar a ferramenta.** Esta medida preventiva evita o accionamento accidental da ferramenta eléctrica.
- ▶ **Guarde ferramentas eléctricas não utilizadas fora do alcance das crianças. Não permita que a ferramenta seja utilizada por pessoas não familiarizadas com a mesma ou que não tenham lido estas instruções.** Ferramentas eléctricas operadas por pessoas não treinadas são perigosas.
- ▶ **Faça uma manutenção regular de ferramentas eléctricas e acessórios. Verifique se as partes móveis funcionam perfeitamente e não emperram ou se há peças quebradas ou danificadas que possam influenciar o funcionamento da ferramenta eléctrica. Peças danificadas devem ser reparadas antes da utilização da ferramenta.** Muitos acidentes são causados por ferramentas eléctricas com manutenção deficiente.
- ▶ **Mantenha as ferramentas de corte sempre afiadas e limpas.** Acessórios com gumes afiados tratados correctamente emperram menos e são mais fáceis de controlar.
- ▶ **Utilize a ferramenta eléctrica, acessórios, bits, etc., de acordo com estas instruções. Tome também em consideração as condições de trabalho e o trabalho a ser efectuado.** A utilização da ferramenta eléctrica para outros fins além dos previstos, pode ocasionar situações de perigo.
- ▶ **Mantenha punhos e respectivas superfícies secos, limpos e isentos de óleo e gordura.** Punhos e superfícies afins escorregadios não permitem um manuseamento e controlo seguro da ferramenta eléctrica em situações imprevistas.

Utilização e manuseamento da ferramenta a bateria

- ▶ **Apenas deverá carregar as baterias em carregadores recomendados pelo fabricante.** Num carregador adequado para um determinado tipo de baterias existe perigo de incêndio se for utilizado para outras baterias.
- ▶ **Nas ferramentas eléctricas utilize apenas as baterias previstas.** A utilização de outras baterias pode causar ferimentos e riscos de incêndio.
- ▶ **Quando a bateria não estiver em uso, mantenha-a afastada de outros objectos de metal, como, por exemplo, cliques, moedas, chaves, pregos, parafusos, ou outros pequenos objectos metálicos que possam ligar em ponte os contactos.** Um curto-circuito entre os contactos da bateria pode causar queimaduras ou incêndio.
- ▶ **Utilizações inadequadas podem provocar derrame do líquido da bateria. Evite o contacto com este líquido. No caso de contacto accidental, enxágue imediatamente com água. Se o líquido entrar em contacto com os olhos, procure auxílio médico.** O líquido que escorre da bateria pode provocar irritações ou queimaduras da pele.
- ▶ **Não utilize uma bateria danificada ou modificada.** Baterias danificadas ou modificadas podem ter um comportamento imprevisível e causar fogo, explosão ou risco de ferimentos.
- ▶ **Não exponha uma bateria ao fogo ou a temperaturas excessivas.** Fogo e temperaturas superiores a 130 °C (265 °F) podem provocar uma explosão.
- ▶ **Cumpra todas as instruções sobre o carregamento e nunca carregue a bateria ou a ferramenta a bateria fora da faixa de temperaturas indicada no manual de instruções.** O carregamento errado ou fora da faixa de temperaturas permitida pode destruir a bateria e aumentar o risco de incêndio.

Manutenção

- ▶ **A sua ferramenta eléctrica só deve ser reparada por pessoal qualificado e só devem ser utilizadas peças sobressalentes originais.** Isto assegurará que a segurança da ferramenta se mantenha.
- ▶ **Nunca faça a manutenção de baterias danificadas.** Qualquer manutenção de baterias só deverá ser realizada pelo fabricante ou serviços de assistência técnica autorizados.

Normas de segurança adicionais

Segurança física

- ▶ Utilize o produto e os acessórios somente se estiverem em perfeitas condições técnicas.
- ▶ Nunca efectue quaisquer manipulações ou modificações no produto ou nos acessórios.
- ▶ Evite o contacto com peças rotativas - Perigo de ferimentos!
- ▶ Segure o produto sempre com as duas mãos nos punhos previstos para o efeito. Mantenha os punhos secos e limpos.
- ▶ Aguarde até que o produto esteja parado, antes de o pousar.
- ▶ Use luvas de protecção durante a substituição de acessórios. Tocar no acessório pode causar ferimentos por corte e queimaduras.



- ▶ Pó produzido ao rectificar, lixar, cortar e furar pode conter produtos químicos perigosos. Alguns exemplos são: Chumbo ou tintas à base de chumbo; Tijolo, betão e outros produtos de alvenaria, pedra natural e outros produtos que contenham silicatos; Determinadas madeiras, como carvalho, faia e madeira tratada quimicamente; Amianto ou materiais contendo amianto. Determine a exposição do operador e das pessoas que se encontrem nas proximidades através da classe de perigo dos materiais a serem trabalhados. Tome as medidas necessárias para manter a exposição a um nível seguro como, por ex., a utilização de um sistema colector de pó ou o uso de uma protecção respiratória adequada. As medidas gerais para redução da exposição incluem:
 - ▶ Trabalhar num local bem ventilado,
 - ▶ Evitar o contacto prolongado com pó,
 - ▶ Afastar o pó do rosto e do corpo,
 - ▶ Usar roupa de protecção e lavar áreas expostas com água e sabão.
- ▶ Faça frequentemente pausas e exercícios para melhorar a circulação sanguínea nos dedos. Os trabalhos mais longos, devido às intensas vibrações, podem causar distúrbios nos vasos sanguíneos ou no sistema nervoso dos dedos, mãos ou pulsos.
- ▶ Risco de ferimentos devido a queda de ferramentas e/ou acessórios. Antes de iniciar os trabalhos, verifique se a bateria e os acessórios montados estão realmente fixos.
- ▶ Não monte nenhum gancho de cinto nesta ferramenta.
- ▶ Mantenha sempre as saídas de ar desobstruídas. Risco de queimaduras devido a saídas de ar tapadas!


Utilização e manutenção de ferramentas eléctricas

- ▶ Não coloque o produto sobre a bateria.

Utilização e manutenção de baterias

- ▶ **Tenha em atenção as seguintes indicações de segurança para um manuseamento e utilização seguros de baterias de iões de lítio.** A inobservância pode causar irritações da pele, ferimentos corrosivos graves, queimaduras químicas, fogo e/ou explosões.
 - ▶ Utilize baterias somente se estiverem em perfeitas condições técnicas.
 - ▶ Manuseie cuidadosamente as baterias a fim de evitar danos e impedir a fuga de líquidos extremamente nocivos!
 - ▶ As baterias não devem, em caso algum, ser modificadas ou manipuladas!
 - ▶ As baterias não podem ser desmontadas, esmagadas, aquecidas acima dos 80 °C (176 °F) ou incineradas.
 - ▶ Não utilize ou carregue baterias que tenham recebido uma pancada ou que estejam, de outra forma, danificadas. Verifique regularmente se as suas baterias apresentam indícios de danos.
 - ▶ Nunca utilize baterias recicladas ou reparadas.
 - ▶ Nunca utilize a bateria ou uma ferramenta eléctrica a bateria como ferramenta de percussão.
 - ▶ Nunca expor as baterias à radiação solar directa, temperaturas elevadas, faíscas ou chamas abertas. Isso pode dar origem a explosões.
 - ▶ Não toque nos pólos da bateria com os dedos, ferramentas, jóias ou outros objectos condutores da electricidade. Isto pode danificar a bateria e causar danos materiais e ferimentos.
 - ▶ Mantenha as baterias afastadas da chuva, humidade e líquidos. A entrada de humidade pode causar curto-circuitos, choques eléctricos, queimaduras, incêndio e explosões.
 - ▶ Utilize apenas carregadores e ferramentas eléctricas previstos para este tipo de bateria. Para isso, tenha em atenção as indicações nos respectivos manuais de instruções.
 - ▶ Nunca utilize nem guarde a bateria em ambientes potencialmente explosivos.
 - ▶ Se a bateria estiver demasiado quente ao toque, poderá estar com defeito. Coloque a bateria num local com boa visibilidade que não constitua risco de incêndio, suficientemente afastado de materiais inflamáveis. Deixe a bateria arrefecer. Se, passado uma hora, a bateria ainda estiver demasiado quente ao toque, então está com defeito. Contacte o Centro de Assistência Técnica **Hilti** ou leia a documento "Indicações relativas à segurança e utilização de baterias de iões de lítio **Hilti**".



Observe as regras específicas aplicáveis ao transporte, à armazenagem e à utilização de baterias de iões de lítio.  37

Leia as indicações relativas à segurança e utilização de baterias de iões de lítio **Hilti** que encontra efectuando a leitura do código QR na parte final deste manual de instruções.

Descrição

Vista geral do produto

- | | |
|---|--|
| ① Parafuso excêntrico | ⑩ Tampa da ferramenta |
| ② Parafuso de bloqueio do braço basculante | ⑪ Rolo de accionamento |
| ③ Interruptor on/off com bloqueio | ⑫ Parafusos de fixação do braço de lixar |
| ④ Roda de ajuste para a velocidade de rotação | ⑬ Braço de lixar |
| ⑤ Indicação de estado da bateria | ⑭ Parafuso de ajuste do braço de lixar |
| ⑥ Botão de destravamento da bateria | ⑮ Cinta de lixa |
| ⑦ Bateria | ⑯ Rolo de contacto |
| ⑧ Filtro de pó | ⑰ Botão de bloqueio do veio |
| ⑨ Punho auxiliar | |

Utilização conforme a finalidade projectada

O produto descrito é uma lima de cinta a bateria de utilização manual. Foi concebida para lixar e polir superfícies metálicas em locais de difícil acesso sem a utilização de água.

- Para este produto, utilize apenas baterias de iões de lítio **Hilti** Nuron da série B 22. Para garantir o desempenho perfeito, a **Hilti** recomenda para este produto as baterias indicadas nesta tabela, no fim deste manual de instruções.
- Para estas baterias utilize apenas carregadores **Hilti** das séries referidas na tabela no final deste manual de instruções.



Possível uso incorrecto

O produto não pode ser utilizado para a lixagem a húmido.

O produto não pode ser utilizado para trabalhar materiais nocivos para a saúde ou facilmente inflamáveis (p. ex., amianto, magnésio, madeira).

Incluído no fornecimento

Lima de cinta, punho auxiliar, braço de lixar, chave Torx, manual de instruções.

Poderá encontrar outros produtos de sistema aprovados para o seu produto na sua **Hilti Store** ou em: www.hilti.group

Protecção da ferramenta dependente da temperatura

O sistema de protecção do motor evita que o produto entre em sobreaquecimento, monitorizando a potência de entrada e a temperatura do motor.

Em caso de sobrecarga do motor devido a excessiva força de pressão, a potência do produto diminuirá consideravelmente, podendo até o produto parar.

Caso se verifique uma paragem ou uma redução das rotações devido a sobrecarga, alivie a pressão exercida e deixe o produto a trabalhar sem carga por aprox. 30 segundos.

Indicações da bateria de iões de lítio

As baterias de iões de lítio **Hilti** Nuron podem apresentar o estado de carga, mensagens de erro e o estado da bateria.

Indicações relativas ao estado de carga e mensagens de erro



AVISO

Risco de ferimentos devido à queda da bateria!

► Com a bateria encaixada, depois de pressionar o botão de destravamento, certifique-se de que volta a encaixar a bateria correctamente no produto utilizado.

Para obter uma das seguintes indicações, pressione brevemente o botão de destravamento da bateria.

O estado de carga, assim como, possíveis avarias são apresentados de forma permanente, enquanto o produto conectado estiver ligado.

Estado	Significado
Quatro (4) LEDs estão sempre acesos a verde	Estado de carga: 100% a 71%
Três (3) LEDs estão sempre acesos a verde	Estado de carga: 70% a 51%
Dois (2) LEDs estão sempre acesos a verde	Estado de carga: 50% a 26%
Um (1) LED está sempre aceso a verde	Estado de carga: 25% a 10%
Um (1) LED pisca lentamente a verde	Estado de carga: < 10%
Um (1) LED pisca rapidamente a verde	A bateria de iões de lítio está completamente descarregada. Carregue a bateria. Se o LED ainda estiver a piscar rapidamente depois de carregar a bateria, contacte o Centro de Assistência Técnica Hilti .
Um (1) LED pisca rapidamente a amarelo	A bateria de iões de lítio ou o produto associado estão sobrecarregados, demasiado quentes, demasiado frios ou existe alguma outra falha. O produto e a bateria devem ser utilizados à temperatura de trabalho recomendada e o produto não deve ser sobrecarregado quando está a ser utilizado. Se a mensagem persistir, contacte o Centro de Assistência Técnica Hilti .
Um (1) LED acende-se a amarelo	A bateria de iões de lítio e o produto a ela ligado não são compatíveis. Contacte a Assistência Técnica Hilti .
Um (1) LED pisca rapidamente a vermelho	A bateria de iões de lítio está bloqueada e não pode continuar a ser utilizada. Contacte a Assistência Técnica Hilti .

Indicações relativas ao estado da bateria

Para consultar o estado da bateria, mantenha o botão de destravamento pressionado por mais de três segundos. O sistema não detecta potenciais anomalias da bateria devido a utilização inadequada como, por ex., quedas, perfurações, danos externos provocados pelo calor, etc.

Estado	Significado
Todos os LEDs acendem como luz de perseguição e, em seguida, um (1) LED está sempre aceso a verde.	A bateria pode continuar a ser utilizada.
Todos os LEDs acendem como luz de perseguição e, em seguida, um (1) LED pisca rapidamente a amarelo.	Não foi possível concluir a consulta sobre o estado da bateria. Repita o procedimento ou contacte o Centro de Assistência Técnica Hilti .
Todos os LEDs acendem como luz de perseguição e, em seguida, um (1) LED está sempre aceso a vermelho.	Se um produto conectado ainda puder ser utilizado, a capacidade restante da bateria é inferior a 50%. Se um produto conectado já não puder ser utilizado, a bateria está no fim da sua vida útil e deve ser substituída. Contacte a Assistência Técnica Hilti .



Características técnicas

Características técnicas

A lima de cinta é fornecida de série com um braço de lixar curto ou comprido. Cada uma das ferramentas também está disponível como acessório opcional e é compatível com todas as variantes de fornecimento.

Peso sem bateria B22	2,3 kg (5,1 lb)
Tensão nominal	21,6 V
Velocidade da cinta	4,3 m/s ... 9,5 m/s (14,1 ft/s ... 31,2 ft/s)
Dimensões da cinta (C × L)	18 in × 1/4 ... 1 3/16 pol.
Dimensões da cinta (C × L)	21 in × 1/4 ... 1 3/16 pol.
Temperatura ambiente durante o funcionamento	-17 °C ... 60 °C (1 °F ... 140 °F)
Temperatura de armazenagem	-20 °C ... 70 °C (-4 °F ... 158 °F)

Bateria

Tensão de serviço da bateria	21,6 V
Peso da bateria	Consultar o fim deste manual de instruções
Temperatura ambiente durante o funcionamento	-17 °C ... 60 °C (1 °F ... 140 °F)
Temperatura de armazenagem	-20 °C ... 40 °C (-4 °F ... 104 °F)
Temperatura da bateria no início do carregamento	-10 °C ... 45 °C (14 °F ... 113 °F)

Preparação do local de trabalho



AVISO

Risco de ferimentos devido a arranque involuntário!

- ▶ Antes de encaixar a bateria, certifique-se de que o produto correspondente está desligado.
- ▶ Remova a bateria, antes de efectuar ajustes na ferramenta ou substituir acessórios.

Tenha em atenção as instruções de segurança e as advertências nesta documentação e no produto.

Carregar a bateria

1. Antes de carregar, leia o manual de instruções do carregador.
2. Certifique-se de que os contactos da bateria e do carregador estão limpos e secos.
3. Carregue a bateria num carregador aprovado. 32

Colocar a bateria



AVISO

Risco de ferimentos devido a curto-circuito ou queda da bateria!

- ▶ Antes de encaixar a bateria, certifique-se de que os contactos da bateria e os contactos no produto estão livres de corpos estranhos.
- ▶ Certifique-se de que a bateria engata sempre correctamente.

1. A bateria deve ser completamente carregada antes da primeira utilização.
2. Introduza a bateria no produto até engatar de forma audível.
3. Verifique se a bateria está correctamente encaixada.

Retirar a bateria

1. Pressione o botão de destravamento da bateria.
2. Puxe a bateria para fora do produto.

Montar o punho auxiliar 2

- ▶ Enrosque o punho auxiliar no casquilho roscado.

Colocar a cinta de lixa 3



CUIDADO

Risco de ferimentos! A direcção de funcionamento incorrecta pode levar ao rasgar da cinta de lixa.

▶ Preste atenção à direcção de funcionamento prescrita da cinta de lixa. A direcção de funcionamento tem de coincidir com a seta da direcção de funcionamento na cabeça de engrenagem.

1. Desmonte o punho auxiliar.
2. Rode a tampa da carcaça para o lado.
3. Rode o parafuso excêntrico até engatar, para aliviar o braço de lixar.
4. Coloque a cinta de lixa de forma centrada no braço de lixar e no rolo de accionamento.



5. Solte o parafuso excêntrico para tensionar o braço de lixar.
6. Volte a rodar a tampa da carcaça para a frente da carcaça.
7. Monte o punho auxiliar. 34

Nem todas as cintas de lixa são adequadas para todos os braços de lixar. Escolha a combinação adequada a partir da tabela abaixo e substitua, se necessário, o braço de lixar 35.

Combinação recomendada de braço de lixar/largura da cinta

Rolo de 9 mm, pontudo	4 mm ... 9 mm (0,2 in ... 0,4 in)
Rolo de 9 mm, abaulado	4 mm ... 13 mm (0,2 in ... 0,5 in)
Rolo de 30 mm, pequeno	13 mm ... 30 mm (0,5 in ... 1,2 in)
Rolo de 30 mm, grande	13 mm ... 30 mm (0,5 in ... 1,2 in)

Retirar a cinta de lixa

1. Desmonte o punho auxiliar.
2. Rode a tampa da carcaça para o lado.
3. Rode o parafuso excêntrico até engatar, para aliviar o braço de lixar.
4. Retire a cinta de lixa.
5. Desaperte o parafuso excêntrico para aliviar a mola do braço de lixar.

Ajustar o movimento da cinta

1. Ajuste o movimento da cinta através do parafuso de ajuste no braço de lixar.
2. Escolha o ajuste de forma que a cinta passe pelo meio do rolo de contacto.
3. Ajuste a velocidade. 36
4. Deixe a cinta trabalhar à velocidade mínima e verifique o seu ajuste.

Substituir o braço de lixar

1. Retire a cinta de lixa. 35
2. Desaperte o parafuso de ajuste.
3. Desmonte os parafusos de fixação e retire o braço de lixar.
4. Encoste o braço de lixar novo e monte os parafusos de fixação com o binário prescrito.

Características técnicas

Binário de aperto dos parafusos de fixação do braço de lixar	2,7 Nm (2,0 ftlb _t)
--	------------------------------------

5. Coloque a cinta de lixa. 34
6. Ajuste o movimento da cinta. 35

Ajustar o braço basculante

1. Solte o parafuso de bloqueio do braço basculante.
2. Incline o braço basculante para a posição desejada.
3. Aperte o parafuso de bloqueio.

Protecção anti-queda



AVISO

Risco de ferimentos devido a queda de ferramentas e/ou acessórios!

- ▶ Utilize apenas o cabo de segurança para ferramentas **Hilti** recomendado para o seu produto.
- ▶ Antes de cada utilização, verifique o ponto de fixação do cabo de segurança para ferramentas quanto a possíveis danos.

Observe as directivas nacionais para trabalhos em altura.

Como protecção anti-queda para este produto, utilize exclusivamente uma combinação do dispositivo de segurança **Hilti** #2293133 com o cabo de segurança para ferramentas **Hilti** #2261970.

- ▶ Fixe o dispositivo de segurança nas aberturas de montagem para acessórios. Verifique se está bem apertado.
- ▶ Fixe um mosquetão do cabo de segurança para ferramentas no dispositivo de segurança e o segundo mosquetão a uma estrutura de suporte. Verifique se ambos os mosquetões estão bem apertados.

Observe os manuais de instruções do dispositivo de segurança **Hilti**, bem como do cabo de segurança para ferramentas **Hilti**.



Utilização

Tenha em atenção as instruções de segurança e as advertências nesta documentação e no produto.

Ligar

1. Pressione a parte de trás do interruptor on/off.
2. Empurre o interruptor on/off para a frente.
 - ▶ O motor funciona.
3. Bloqueie o interruptor on/off.

Ajustar a velocidade de rotação

- ▶ Ajuste a velocidade através do botão regulador.

Velocidade da cinta sem carga

Posição 1	4,3 m/s (14,1 ft/s)
Posição 2	5,2 m/s (17,1 ft/s)
Posição 3	6,1 m/s (20,0 ft/s)
Posição 4	7,0 m/s (23,0 ft/s)
Posição 5	8,0 m/s (26,2 ft/s)
Posição 6	9,5 m/s (31,2 ft/s)

Lixar**⚠ CUIDADO**

Risco de ferimentos! Tocar na cinta de lixa em movimento pode causar escoriações e ferimentos por corte.


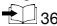
- ▶ Não toque na cinta de lixa em movimento.



Não exceda a velocidade indicada na cinta de lixa.



Fixe a peça a trabalhar com grampos.

1. Levante a lima de cinta da superfície de trabalho.
2. Ligue o produto.  36
 - ▶ O produto trabalha agora em operação continuada.
3. Ajuste a velocidade.  36
4. Apoie a lima de cinta com a cinta de lixa sobre a peça e mova-a em movimentos pendulares.
5. Trabalhe sobre o lado tirante da cinta de lixa.
6. Trabalhe com pressão moderada e não pressione a cinta de lixa para dentro do material. No caso de uma pressão de contacto excessiva, a cinta de lixa pode escorregar para fora do rolo de contacto.

Desligar

- ▶ Pressione a parte de trás do interruptor on/off.
 - ▶ O interruptor on/off salta para a posição off e o motor pára.

Conservação e manutenção**⚠ AVISO**

Risco de lesão com a bateria encaixada!

- ▶ Retire sempre a bateria antes de todos os trabalhos de conservação e manutenção!

Conservação do produto

- Remova sujidade persistente com cuidado.
- Se existente, limpe as saídas de ar cuidadosamente com uma escova seca e macia.
- Limpe a carcaça apenas com um pano ligeiramente húmido. Não utilize produtos de conservação que contenham silicone, uma vez que estes podem danificar os componentes de plástico.
- Utilize um pano limpo e seco, para limpar os contactos do produto.

Conservação das baterias de iões de lítio

- Nunca utilize uma bateria com as saídas de ar obstruídas. Limpe as saídas de ar cuidadosamente com uma escova seca e macia.



- Evite que a bateria seja exposta desnecessariamente a pó ou sujidade. Nunca exponha a bateria a humidade elevada (por ex., mergulhar em água ou deixar à chuva).
Se uma bateria tiver ficado encharcada, trate-a como uma bateria danificada. Isole-a num recipiente não inflamável e contacte o Centro de Assistência Técnica **Hilti**.
- Mantenha a bateria sem resíduos de óleo e massa consistente externos. Não permita que se acumule desnecessariamente pó ou sujidade sobre a bateria. Limpe a bateria com uma escova seca e macia ou um pano limpo e seco. Não utilize produtos de conservação que contenham silicone, uma vez que estes podem danificar os componentes de plástico.
Não toque nos contactos da bateria nem remova dos contactos a massa consistente aplicada de fábrica.
- Limpe a carcaça apenas com um pano ligeiramente húmido. Não utilize produtos de conservação que contenham silicone, uma vez que estes podem danificar os componentes de plástico.

Manutenção

- Verifique, regularmente, todos os componentes visíveis quanto a danos e os comandos operativos quanto a funcionamento perfeito.
- Não opere o produto se existirem danos e/ou perturbações de funcionamento. Mandar reparar o produto imediatamente no Centro de Assistência Técnica **Hilti**.
- Após os trabalhos de conservação e manutenção, aplique todos os dispositivos de protecção e verifique se funcionam correctamente.

Para um funcionamento seguro, utilize apenas peças sobresselentes e consumíveis originais. Poderá encontrar peças sobresselentes, consumíveis e acessórios aprovados pela **Hilti** para o seu produto na sua **Hilti Store** ou em: www.hilti.group

Substituir o rolo de accionamento

O rolo de accionamento pode ser substituído em caso de desgaste.

1. Retire a cinta de lixa. 35
2. Desmonte os parafusos de fixação do rolo de accionamento. Ao fazê-lo, mantenha, se necessário, o botão de bloqueio do veio pressionado.
3. Puxe o rolo de accionamento para fora do veio.
4. Coloque o rolo de accionamento novo no veio.
5. Monte os parafusos de fixação com o binário prescrito. Ao fazê-lo, mantenha, se necessário, o botão de bloqueio do veio pressionado.

Características técnicas

Binário de aperto dos parafusos de fixação do rolo de accionamento	2,4 Nm (1,8 ftlb _p)
--	------------------------------------

Transporte e armazenamento de ferramentas a bateria e baterias

Transporte

CUIDADO

Arranque inadvertido durante o transporte !

- ▶ Transporte os seus produtos sempre sem as baterias colocadas!
- ▶ Retire a/as bateria(s).
- ▶ Nunca transporte as baterias sem embalagem. Durante o transporte, as baterias devem ser protegidas contra impactos e vibrações excessivos e isoladas de quaisquer materiais condutores ou outras baterias, para que não entrem em contacto com os pólos de outras baterias e causem um curto-circuito. **Observe as suas normas de transporte locais para baterias.**
- ▶ As baterias não devem ser enviadas por correio. Quando pretender enviar baterias não danificadas, contacte uma empresa transportadora.
- ▶ Verifique o produto e as baterias quanto a danos antes de cada utilização, bem como antes e depois de longos períodos de transporte.

Armazenamento

AVISO

Dano accidental devido a baterias com defeito ou a perderem líquido !

- ▶ Armazene os seus produtos sempre sem as baterias colocadas!
- ▶ Guarde o produto e as baterias em lugar fresco e seco. Tenha em atenção os valores limite de temperatura, que estão indicados nas Características técnicas.
- ▶ Não guarde as baterias no carregador. Após o processo de carregamento, retire sempre a bateria do carregador.
- ▶ Nunca armazene as baterias em locais sujeitos a exposição solar, em cima de fontes de calor ou por trás de um vidro.
- ▶ Guarde o produto e as baterias fora do alcance das crianças e das pessoas não autorizadas.
- ▶ Verifique o produto e as baterias quanto a danos antes de cada utilização, bem como antes e depois de longos períodos de armazenamento.

Ajuda em caso de avarias

Sempre que ocorra uma avaria, observe a indicação de estado da bateria. Consultar capítulo **Indicações da bateria de iões de lítio**.

No caso de avarias que não sejam mencionadas nesta tabela ou se não conseguir resolvê-las por si mesmo, contacte o nosso Centro de Assistência Técnica **Hilti**.

Avaria	Causa possível	Solução
A bateria descarrega-se mais depressa do que habitualmente.	Temperatura ambiente muito baixa.	▶ Deixe a bateria aquecer lentamente até à temperatura ambiente.



Avaria	Causa possível	Solução
A bateria não encaixa com clique audível.	A patilha de fixação na bateria está suja.	▶ Limpe a patilha de fixação e volte a encaixar a bateria.
Forte aquecimento no produto ou na bateria.	Avaria eléctrica	▶ Desligue o produto imediatamente, retire a bateria, observe a mesma, deixe-a arrefecer e contacte o Centro de Assistência Técnica Hilti .
O produto não atinge plena potência.	Está introduzida bateria com capacidade insuficiente.	▶ Utilize uma bateria com capacidade suficiente.
Sem função de travagem do motor.	A bateria está descarregada.	▶ Substitua a bateria e carregue a bateria descarregada.
	Produto sobrecarregado por instantes.	▶ Desligue e volte a ligar o produto.
Os LEDs da bateria não indicam nada	Bateria avariada.	▶ Dirija-se ao Centro de Assistência Técnica Hilti .

Reciclagem



AVISO

Perigo de ferimentos devido a eliminação incorrecta! Riscos para a saúde devido à fuga de gases ou líquidos.

- ▶ Não envie quaisquer baterias danificadas!
- ▶ Para evitar curto-circuitos, cubra as conexões com um material não condutor.
- ▶ Elimine as baterias de modo a mantê-las longe do alcance das crianças.
- ▶ Efectue a reciclagem da bateria na sua **Hilti Store** ou entre em contacto com a empresa de recolha de lixo responsável.

Os produtos **Hilti** são, em grande parte, fabricados com materiais recicláveis. Um pré-requisito para a reciclagem é que esses materiais sejam devidamente separados. Em muitos países, a **Hilti** aceita o seu aparelho usado para reaproveitamento. Para mais informações, dirija-se ao Serviço de Clientes **Hilti** ou ao seu vendedor.



- ▶ Não deite as ferramentas eléctricas, aparelhos electrónicos e baterias no lixo doméstico!

Garantia do fabricante

- ▶ Se tiver dúvidas em relação às condições de garantia, contacte o seu parceiro **Hilti** local.

Mais informações

Pode consultar informações mais pormenorizadas sobre Utilização, Tecnologia, Meio ambiente e Reciclagem na seguinte hiperligação: qr.hilti.com/manual/?id=2332261

Também pode encontrar esta hiperligação no final da documentação sob a forma de código QR.



 **NURON**

B 22-55 (01)	0,56 kg	1.23 lb
B 22-85 (01)	0,77 kg	1.70 lb
B 22-110 (01)	0,92 kg	2.03 lb
B 22-170 (01)	1,34 kg	2.95 lb
B 22-255 (01)	1,87 kg	4.12 lb

C 4-22

C 6-22

C 8-22



Hilti Corporation
LI-9494 Schaan
Tel.:+423 234 21 11
Fax:+423 234 29 65
www.hilti.group



2332261